



Shenzhen Orient Components Co., Ltd



1.Features



2. Description



3. Applications



4.Absolute Maximum Ratings at Ta=25



. - ()

					*		

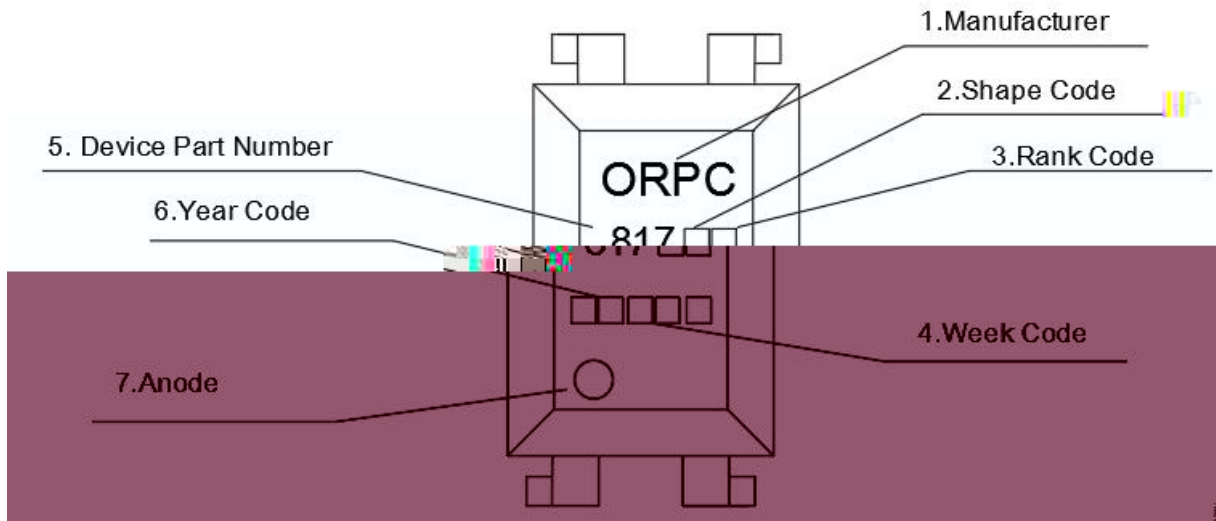


6.Rank Table of Current Transfer Ratio

(1) ORPC-817

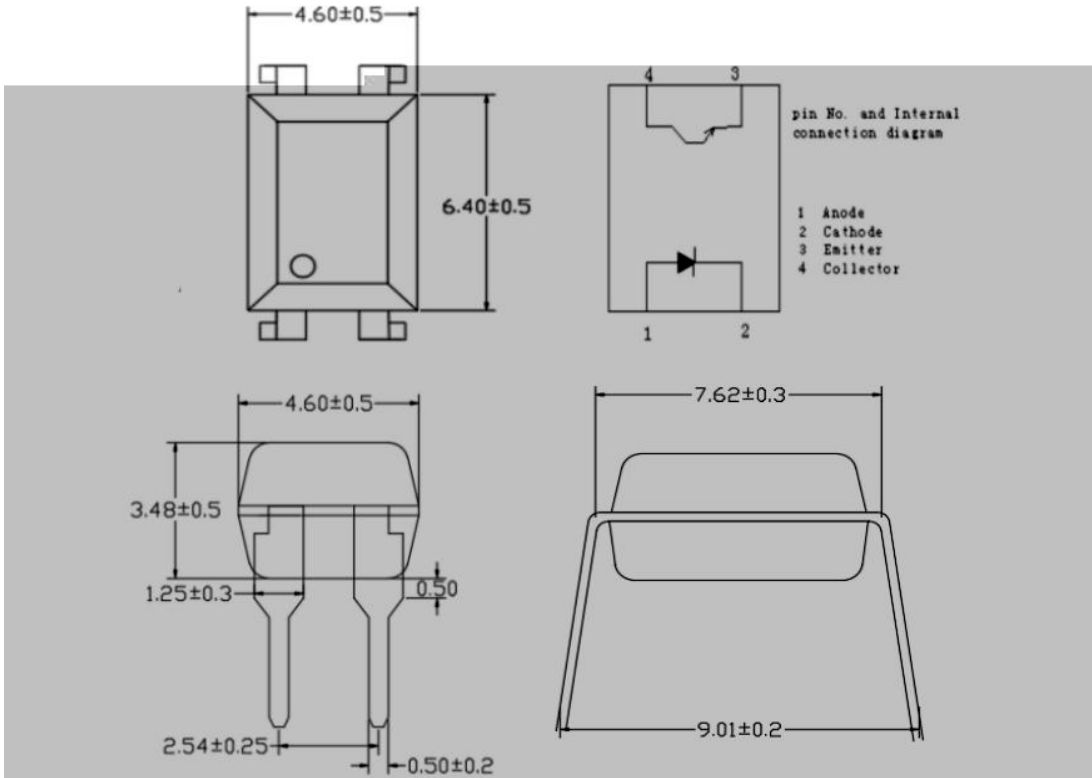
Grade Sign	Min (%)	Max (%)

7. Naming Rule



8. Package Dimension (Unit mm)

() -



() -

