

SB4040S 40A SCRs

FEATURES

High thermal conductivity performance

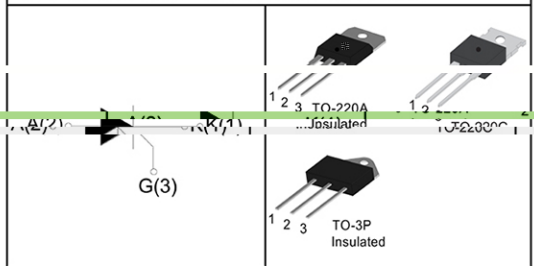
- High voltage capacity
- Very high current surge capability

APPLICATIONS

- Line rectifying 50/60 Hz
- Softstart AC motor control
- DC Motor control
- Power converter
- AC power control
- Lighting and temperature control

Parameters Summary

TO-220A Insulated TO-220C Insulated TO-3P Insulated



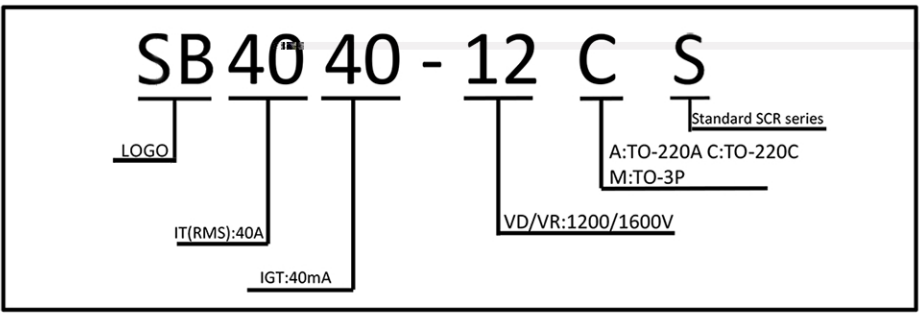
ABSOLUTE MAXIMUM RATINGS			
Parameter	Symbol	Value	Unit
Storage junction temperature range	T _{stg}	-40 ~ 150	°C
Operating junction temperature range	T _j	-40 ~ 125	°C
Repetitive peak off-state voltage	V _{DRM}	1200/1600	V
Repetitive peak reverse voltage	V _{RRM}	1200/1600	V
Non repetitive surge peak Off-state voltage	V _{DSM}	V _{DRM} + 100	V
Non repetitive peak reverse voltage	V _{RSM}	V _{RRM} + 100	V
Non repetitive surge peak on-state current	I _{TSM}	420 / 490	A
RMS off-state current (100° conduction angle)	I _{T(RMS)}	40	A
Average on-state current (180° conduction angle)	I _{T(AV)}	25	A
I ² t value for fusing (tp=10ms)	I ² t	880	A ² S
Critical rate of rise of on-state current (I = 2×IGT, tr ≤ 100 ns)	di/dt	150	A/μS
Peak gate current	IGM	4	A
Peak gate power	PGM	5	W

Thermal Resistances			
Symbol	Parameter	Value	Unit
Rth(j-c)	Junction to case (DC)	TO-220A	1.2
		TO-220C	0.8
		TO-3P	0.7

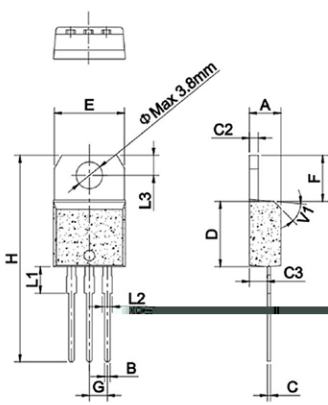
Symbol **Parameter**
 V_{DRM} ITM = 60A t_p = 380 μ s
 I_{DRM}
 I_{TSM}

Symbol	Parameter
V_{DRM}	ITM = 60A t_p = 380 μ s
I_{DRM}	
I_{TSM}	

Ordering Information Scheme

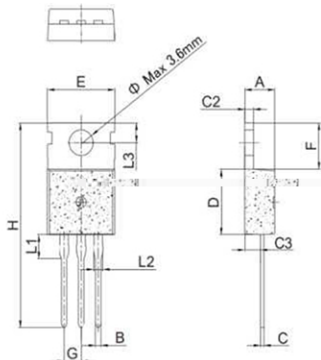


TO-220A Package Mechanical Data



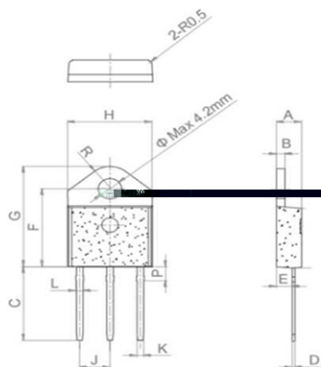
Dimension	Min.	Max.
A	4.40	0.175
B	0.45	0.128
C	1.30	0.10
D	2.20	0.07
E	6.90	0.10
F	6.30	0.10
G	1.20	0.10
H	1.14	0.10
L1	3.30	0.10
L2	3.0	0.10

TO-220C Package Mechanical Data



Ref.	Dimensions					
	Millimeters			Inches		
	Min.	Typ.	Max.	Min.	Typ.	Max.
A	4.40		4.60	0.173		0.181
B	0.70		0.90	0.028		0.035
C	0.45		0.60	0.018		0.024
C2	1.30		1.80	0.048		0.071
C3	2.20		2.60	0.087		0.102
D	6.30		6.90	0.250		0.270
E	9.90		10.3	0.390		0.406
F	6.30		6.90	0.248		0.272
G		2.54			0.1	
H	28.0		29.8	1.102		1.173
L1		3.39			0.133	
L2	1.14		1.70	0.045		0.067
L3	2.65		2.95	0.104		0.116
e		3.6			0.142	

TO-3P Package Mechanical Data



Ref.	Dimensions					
	Millimeters			Inches		
	Min.	Typ.	Max.	Min.	Typ.	Max.
A	4.40		4.60	0.173		0.181
B	1.40		1.60	0.055		0.062
C	15.48		15.88	0.609		0.625
C2	0.50		0.70	0.019		0.027
C3	2.70		2.90	0.106		0.114
D	15.52		16.52	0.628		0.672
E	20.27		20.67	0.798		0.813
F	15.15		15.35	0.590		0.604
G		5.45			0.214	0.216
H	1.10		1.30	0.043		0.051
L1	1.15		1.35	0.045		0.053
L2	2.68		3.08	0.105		0.121
L3		4.20			0.165	
e	4.40		4.60	0.173		0.181

FIG.1 Maximum power dissipation versus on-state current

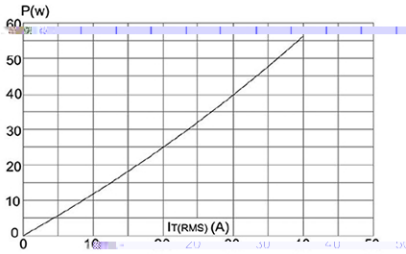


FIG.2: on-state current versus case temperature

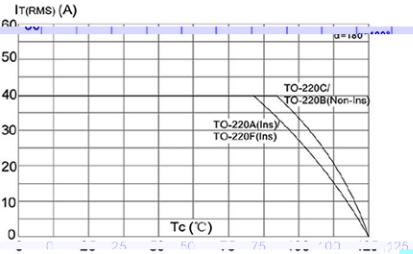


FIG.3: Surge peak on-state current versus number of cycles

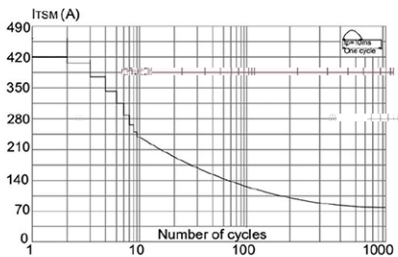


FIG.4: On-state characteristics (maximum values)

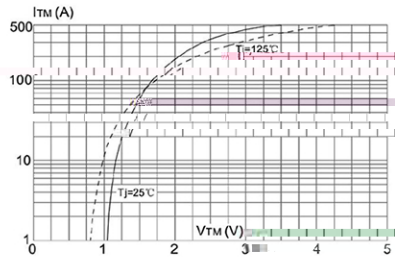


FIG.5: Non-repetitive surge peak on-state current for a sinusoidal pulse with width $t_p < 10\text{ms}$, and corresponding value of $I_2 t (di/dt < 50\text{A}/\mu\text{s})$

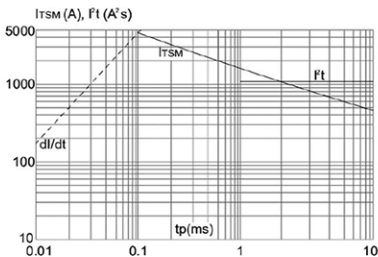


FIG.6: Relative variations of gate trigger current holding current and latching current versus junction temperature

