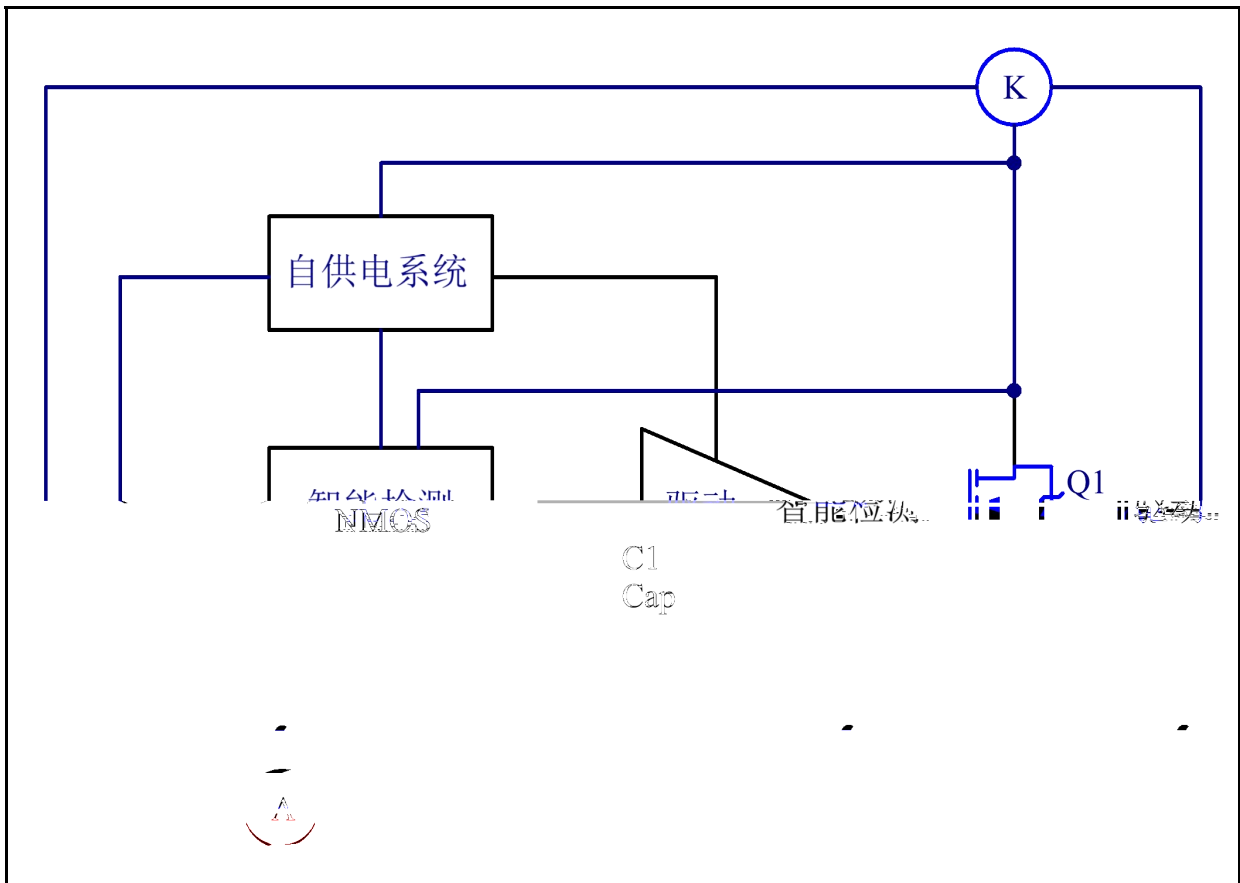


DK5V60R20S	85-265VAC	9V, 2.4A
------------	-----------	----------



&						
NMOS						

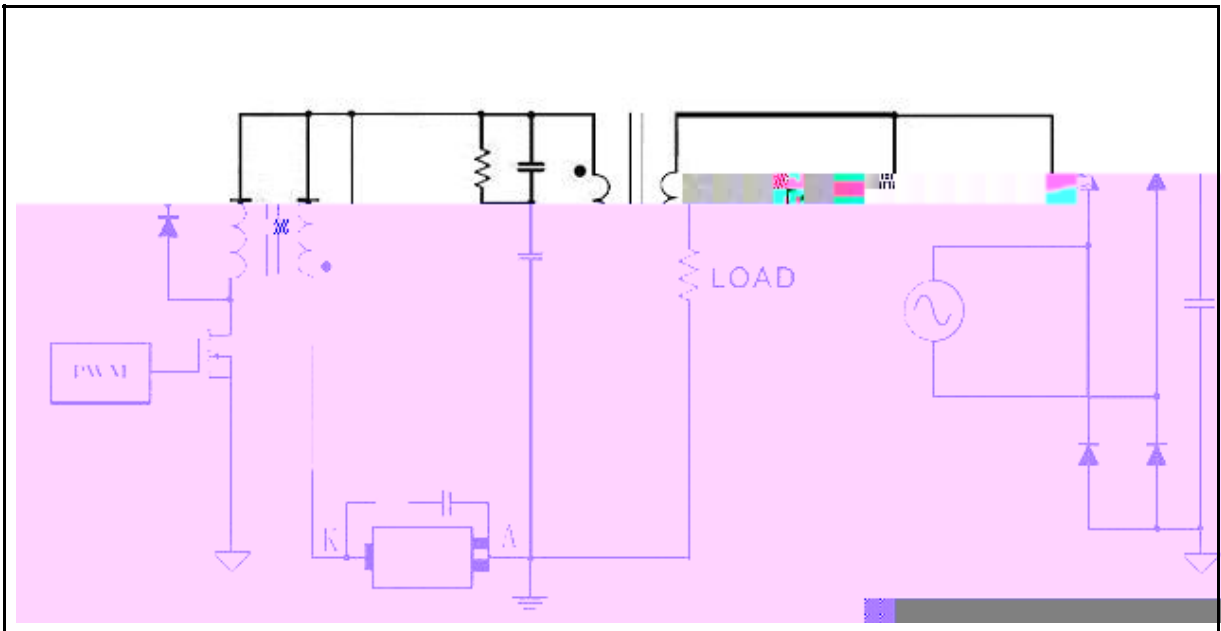
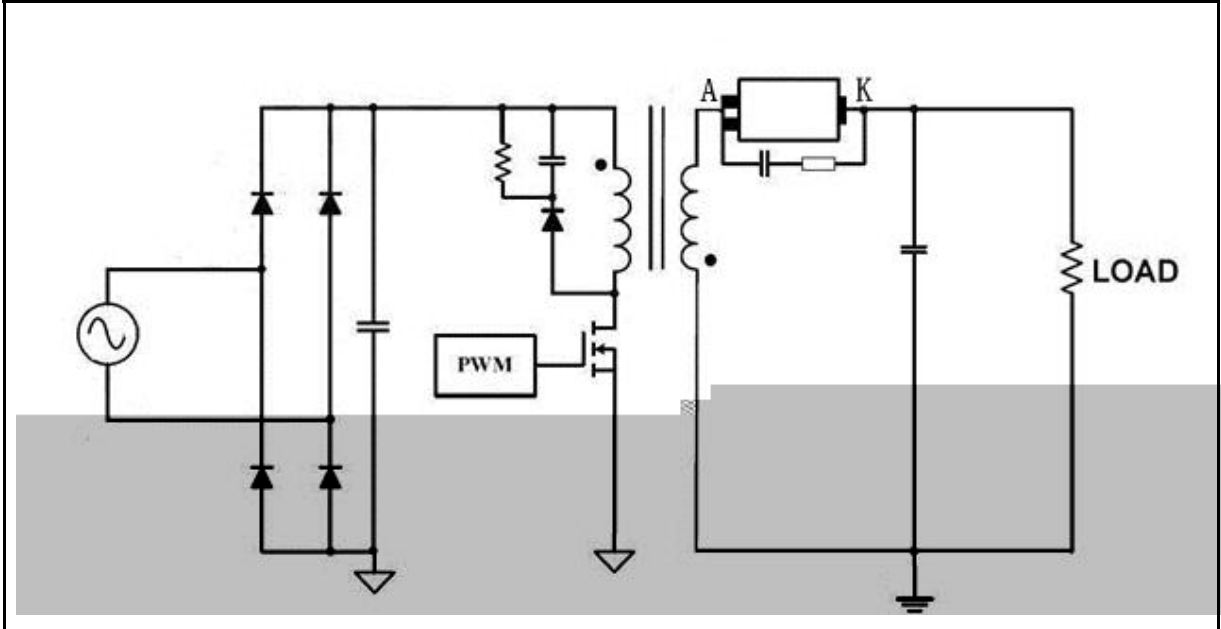
NMOS

RC

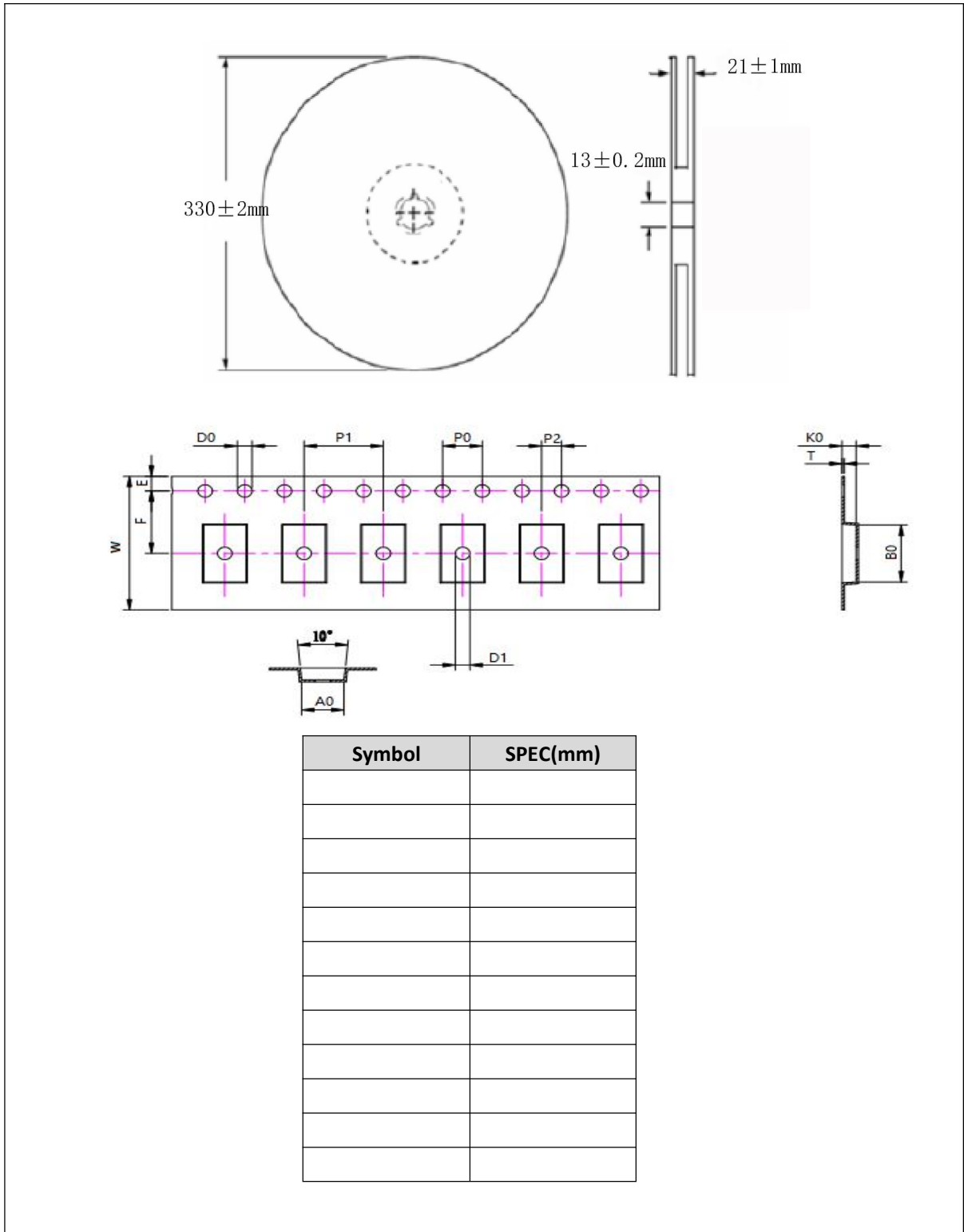
NMOS

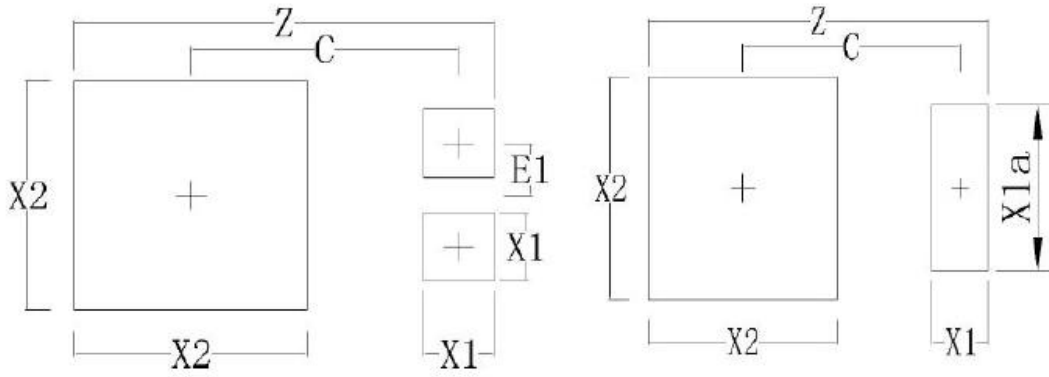
●

●

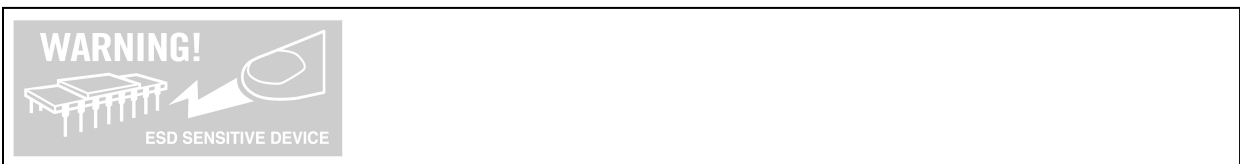


S





Symbol	Dimensions In Millimeters



-
-
-
-
-
-
-

-