



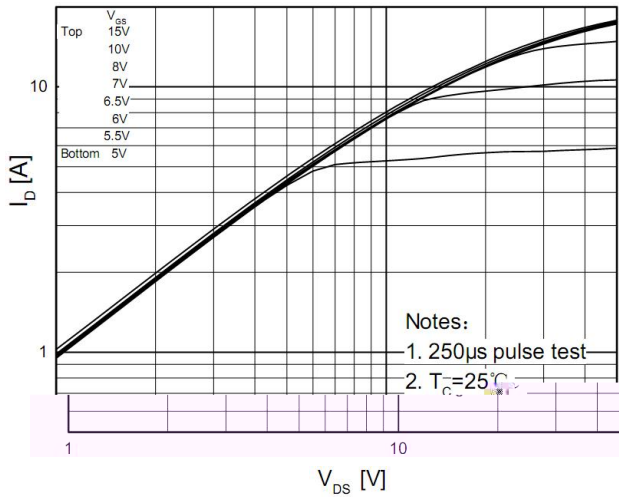
**Electrical Characteristics** ○

<b>Off Characteristics</b>						
△		○				○
△						
		○				
<b>On Characteristics</b>						
<b>Dynamic Characteristics</b>						
<b>Switching Characteristics</b>						
<b>Drain-Source Diode Characteristics and Maximum Ratings</b>						

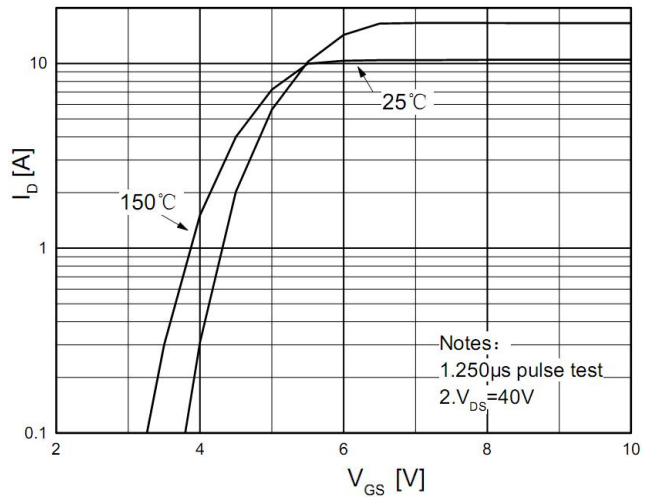
、  
、  
、  
、  
、  
、

○ ○  
○

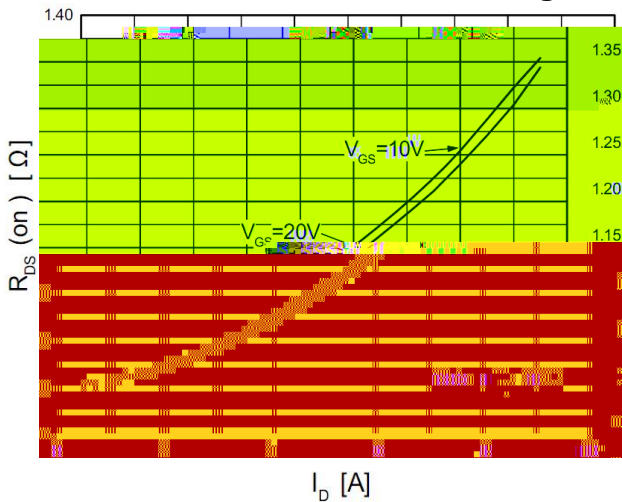
**On-Regin Characteristics**



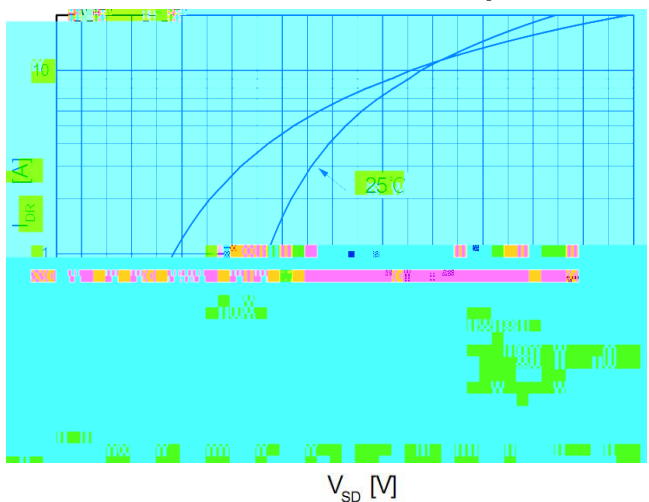
**Transfer Characteristics**



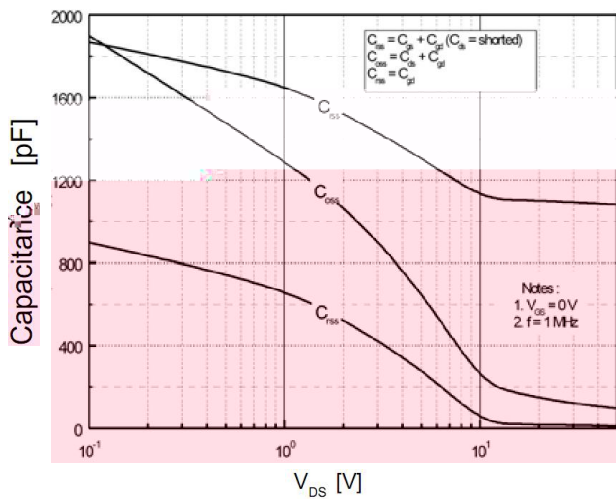
**On-Resistance Variation vs. Drain Current and Gate Voltage**



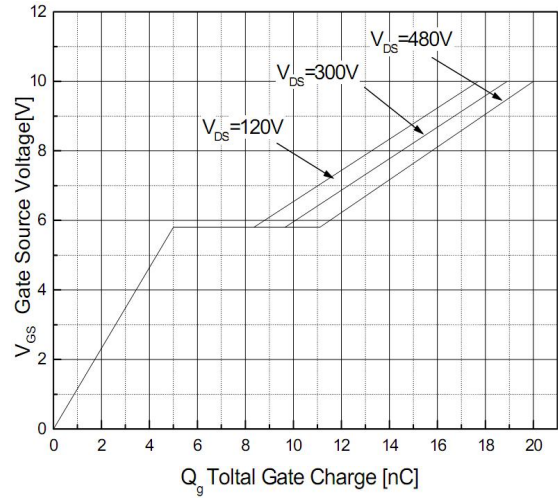
**Body Diode Forward Voltage Variation vs. Source Current and Temperature**



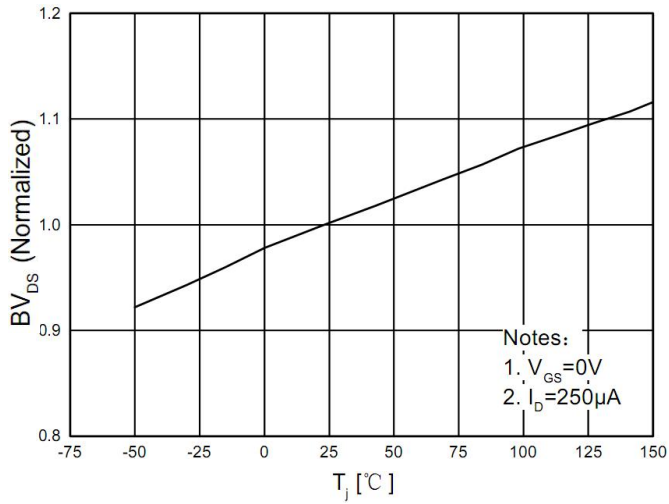
**Capacitance Characteristics**



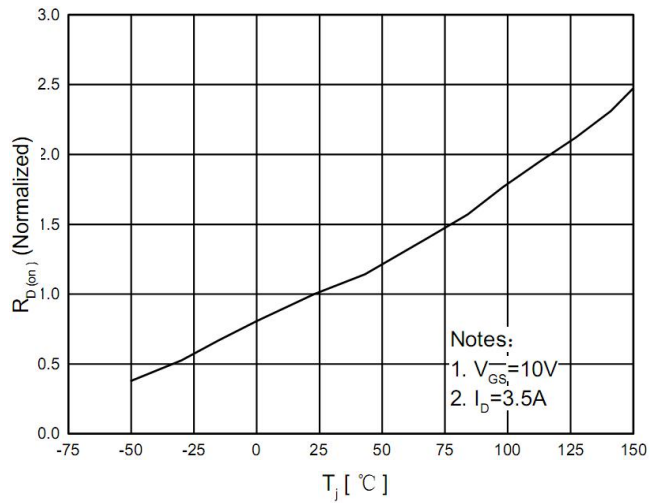
**Gate Charge Characteristics**



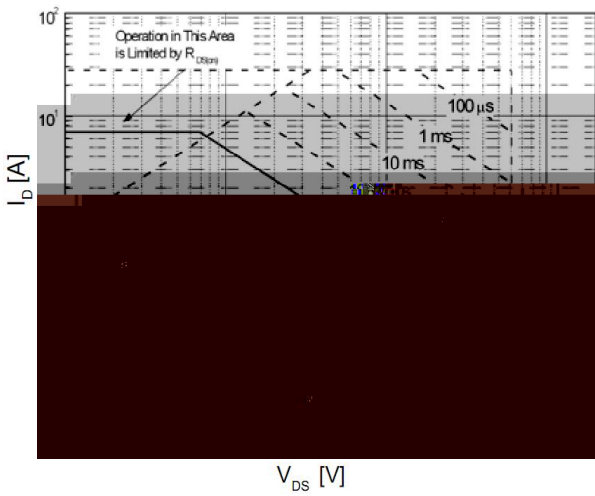
**Breakdown Voltage Variation vs. Temperature**



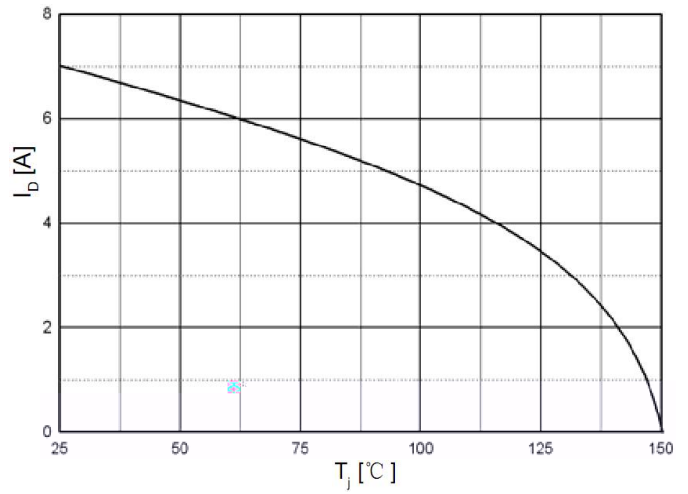
**On-Resistance Variation vs. Temperature**



**Maximum Safe Operating Area**

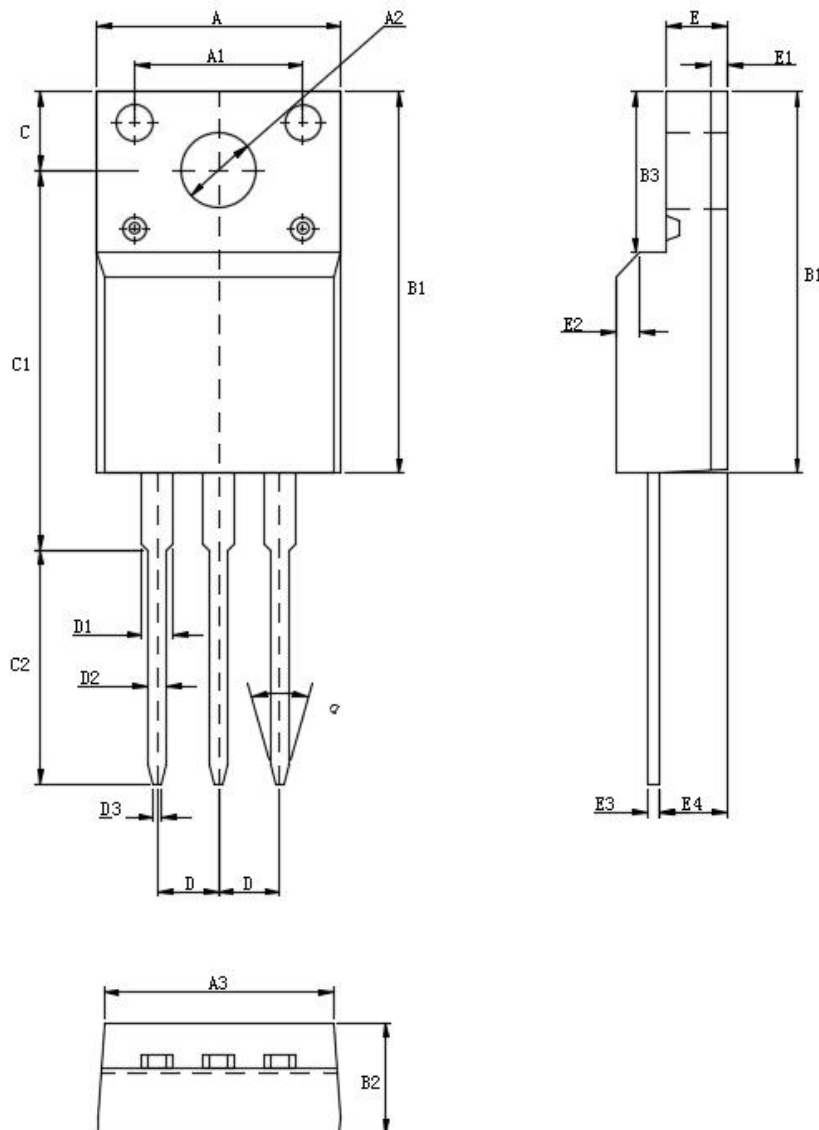


**Maximum Drain Current Vs. Case Temperature**



# TO-220F Package Dimensions

:



× °

°

” , %