

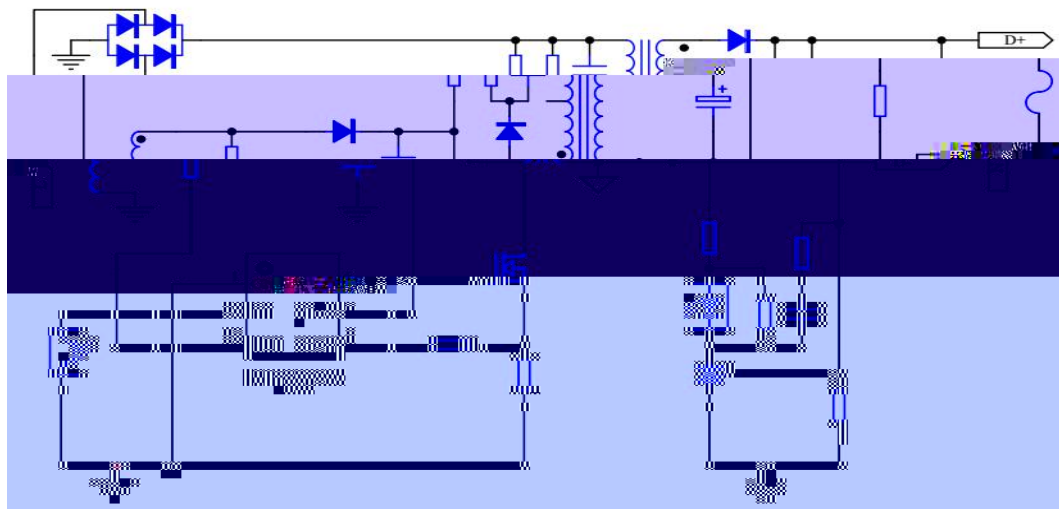
M6362 PWM MOSFET V
 IC (65KH) 65KH @
 @
 @ &
 EMI

M6362 VCC

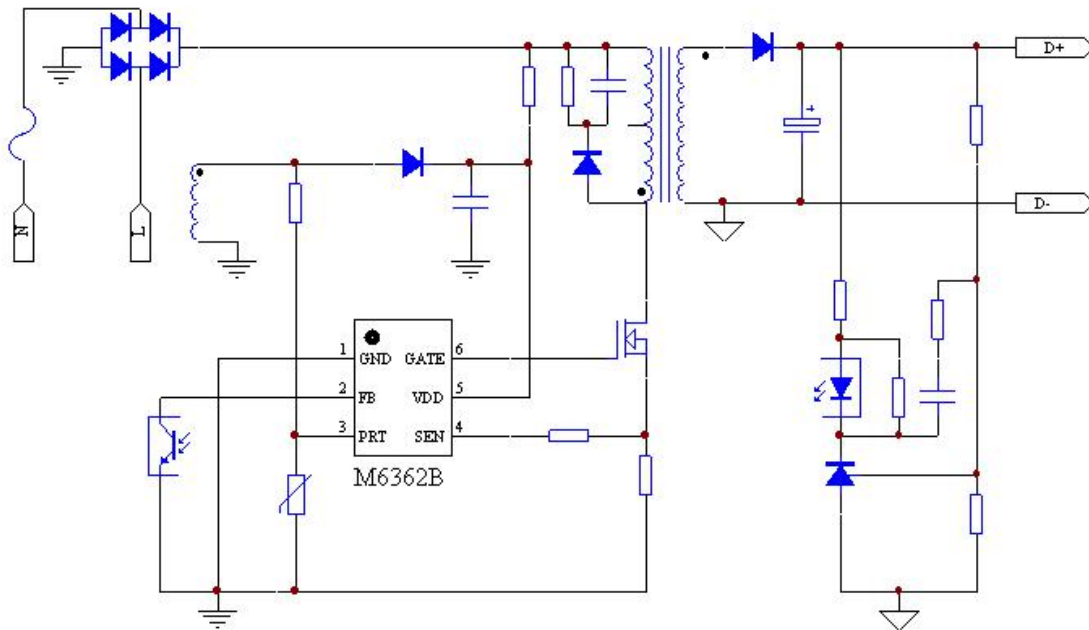
M6362 (OLP) (OVP) EMI (UVLO) (VCC OVP) (OVP) PRT
 (OCP) VCC (UVLO) VCC (OLP) (OVP) PRT
 25KH OVP

M6362 23 - 6 M6362B (NTC (OTP) PRT

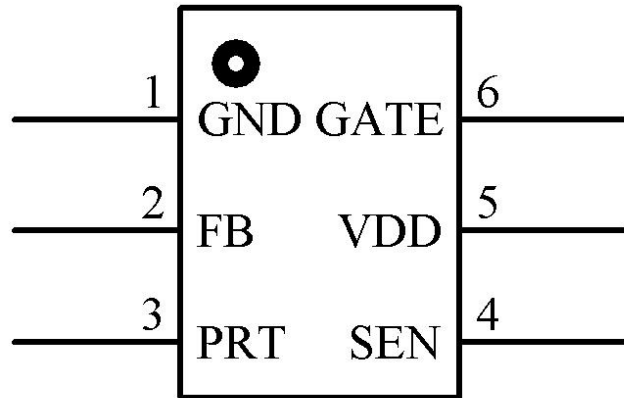
/



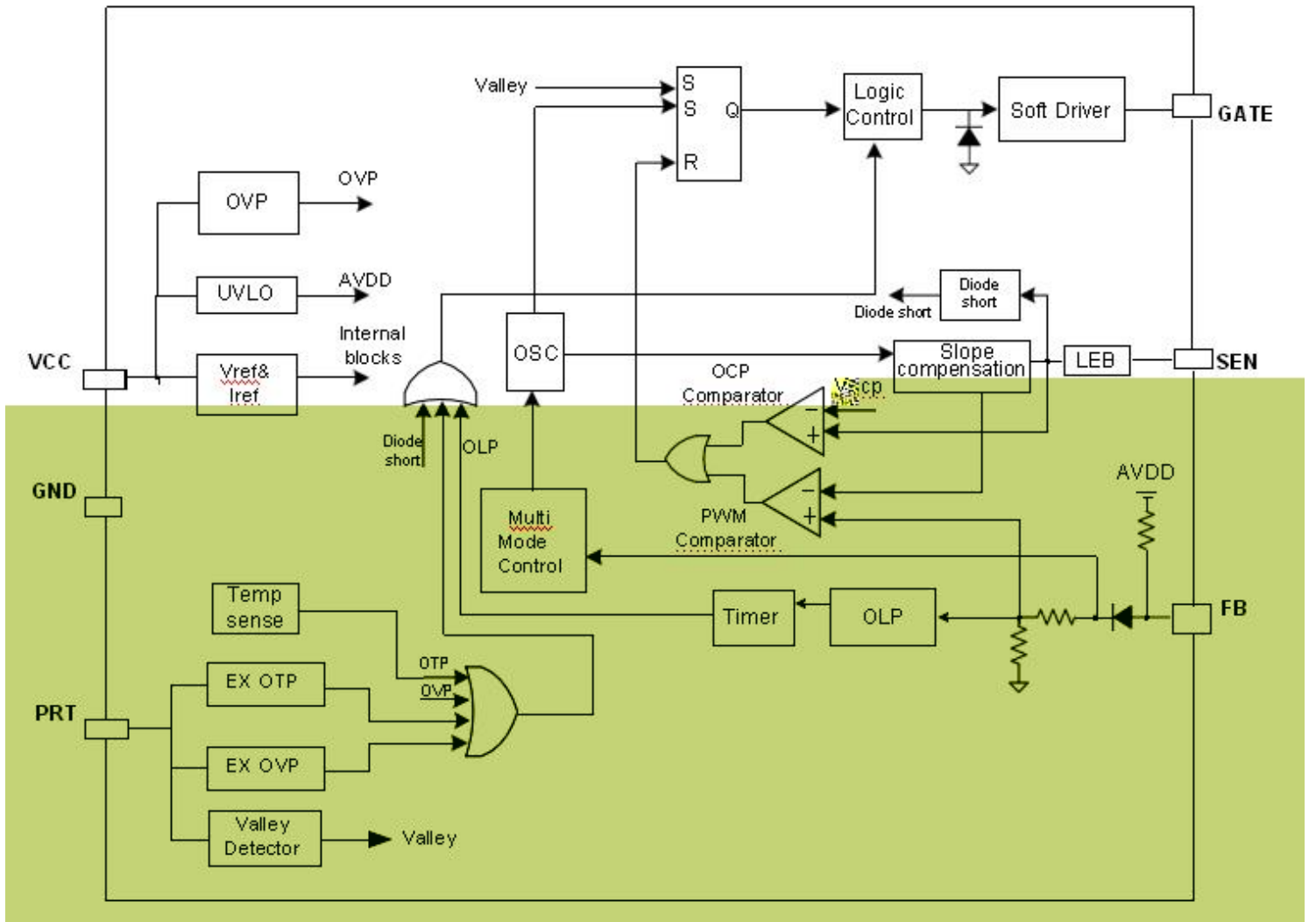
M6362A



2 M6362B



		NTC PRT

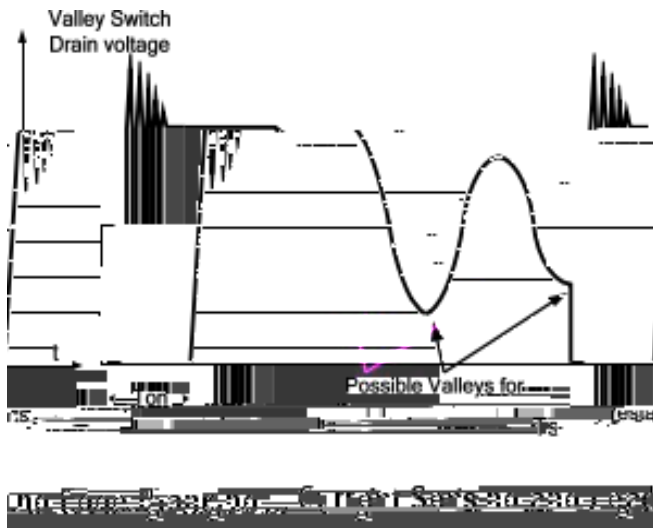


(VDD)						
I _{l-a}	VCC	VCC=UVLO(OFF)-1V, VCC		2	5	A
I _{VCC_O a}		VDD=18V,SEN=4V, FB=3.5V, I(VDD)		2.5	3	A
I _{VCC_B}		CS=0V,FB=0.5V, I(VDD)		0.6	0.7	A
UVLO(ON)	VCC		6.8	7.3	7.8	V
UVLO(OFF)	VCC		16	17	18	V
V ₋	PMOS			10		V
OVP	VCC	FB=3V,CS=0V. VCC	26.5	28	29.5	V
(FB Pin)						
V _{FB_O}	V _{FB}			5.1		V
A _c	PWM	V _{FB} / V _{CS}		3.5		V/V
M _a c c		@ VCC=18V,V _{FB} =3V,V _{CS} =0V	77	80	83	%
V ₋				2.1		V
V _{-b} _H				1.33		V
V _{-b} _L				1.23		V
I _{FB_S}	FB	FB		0.21		A
V _{TH_OLP}		FB		4.4		V
T _{_OLP}				60		
Z _{FB_IN}				30		K
(SENPin)						
SST_CS	SEN			2		
T _{ba}				300		
T _{_OC}				90		
V _{TH_OC}		0	0.43	0.45	0.47	V
V _{TH_OC_C a}	OCP	SEN		0.72		V
PRT pin						
IRT		OTP	94	100	106	A
VOTP			0.95	1	1.05	V

I _{OV}	OVP		170	180	190	A
T _{OV}	OVP			5		C c
OTP				150		
OTP				120		
F _{osc}		VDD=18V,FB=3V, CS=0V	60	65	70	KH
f _{osc}				+/-6		%
F _{osc}				32		H
T _{osc}	-			1		%
T _{osc}	-			1		%
F _B				25		KH
VOL	I =5 A	@ VDD=18V,			1	V
VOH	I =20 A	@ VCC=18V,	6			V
V _{ca}				11		V
T _{ca}		-1.2V 10.8V @ CL=1000 F		100		
T _{ca}		10.8V 1.2V @ CL=1000 F		30		

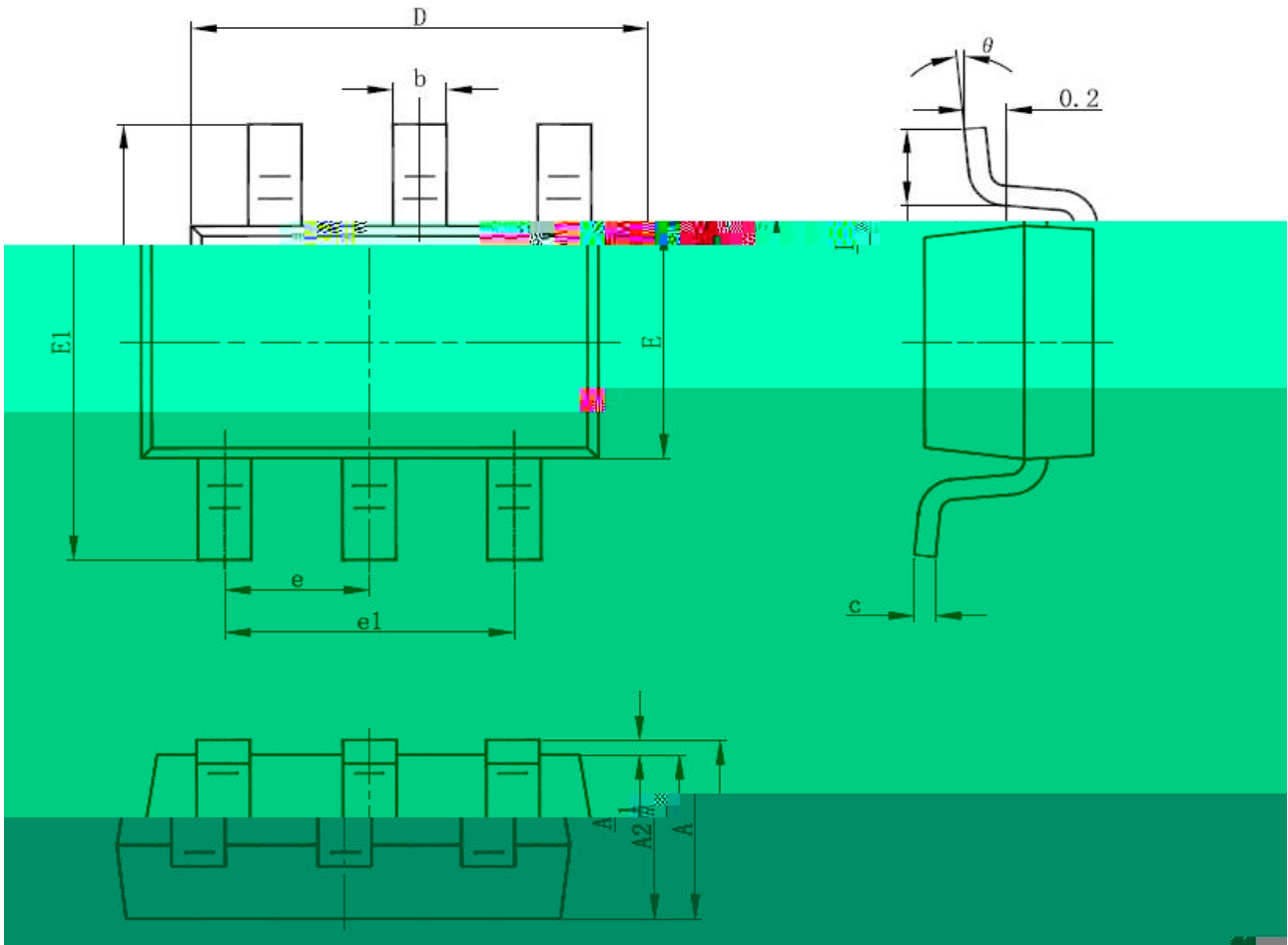
M6362

PWM IC



M6362	PWM						SEN
	MOSFET					MOSFET	
MOSFET		PWM			FB		
		PWM				CCM	
MOSFET							MOSFET
							EMI
VDD	(UVLO)	(OTP)	VDD		(OVP)	(OCP)	OCP
T_OLP			VDD		UVLO	FB	

SOT-23-6L PACKAGE OUTLINE DIMENSIONS



Symbol	Dimensions In Millimeters		Dimensions In Inches	
	Min	Max	Min	Max
A	1.000	1.450	0.039	0.057
A1	0.000	0.150	0.000	0.006
A2	0.900	1.300	0.035	0.051
b	0.300	0.500	0.012	0.020
c	0.080	0.220	0.003	0.009
D	2.800	3.020	0.110	0.119
E	1.500	1.726	0.059	0.068
E1	2.600	3.000	0.102	0.118
	0.950 (BSC)		0.037 (BSC)	
1	1.800	2.000	0.071	0.079
L	0.300	0.600	0.012	0.024
	0	8	0	8

