



# TD356 Series

## SOP4, DC Input Photo Transistor Coupler

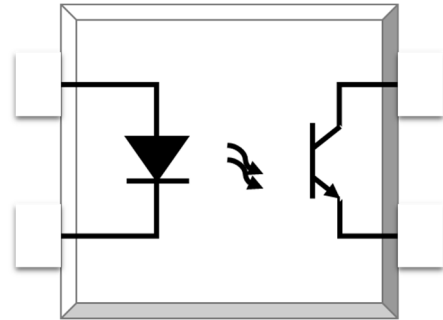
Description

Features

Applications

- 
- 
- 
- 

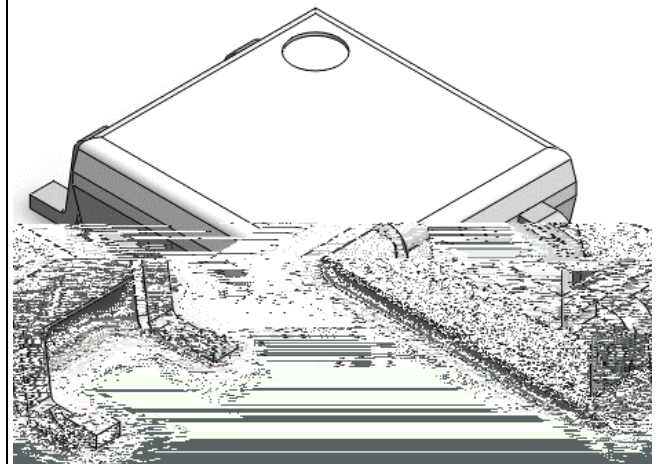
### SCHEMATIC



### PIN DEFINITION

1. Anode
2. Cathode
3. Emitter
4. Collector

### PACKAGE OUTLINE



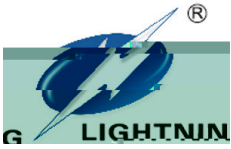


# TD356 Series

## SOP4, DC Input Photo Transistor Coupler

A 'SO#"TE MA(IM"M )ATIN!S


! "#\$ %  
&' ( ) ! " \* + , - .



# TD356 Series

## SOP4, DC Input Photo Transistor Coupler

**E#ECT) ICA# OPTICA# CHA) ACTE) ISTICS at Ta\*2+,C**


( / 0  
+ ( / +

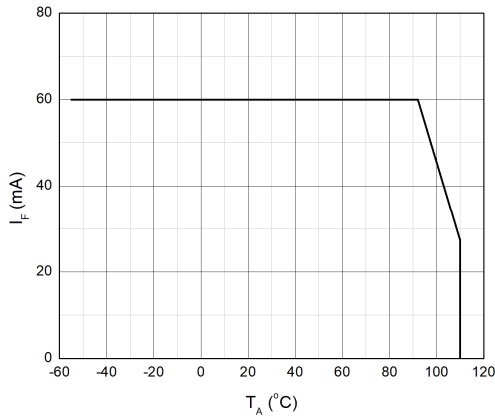


# TD356 Series

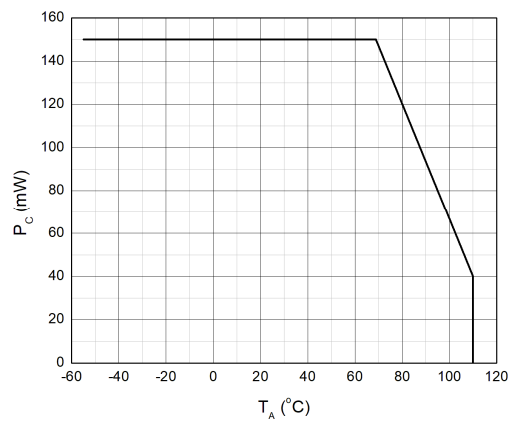
## SOP4, DC Input Photo Transistor Coupler

### CHARACTERISTICS - ES

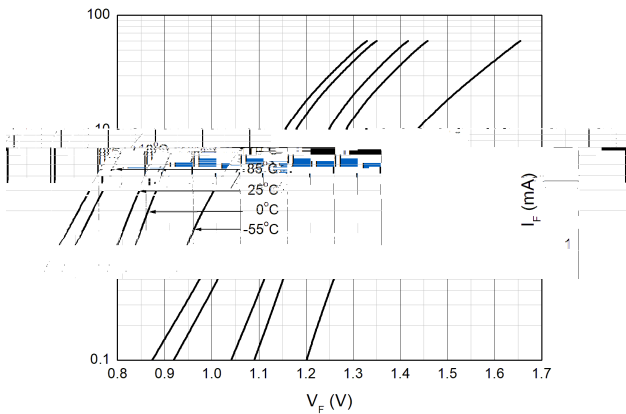
**Fig. 1 Forward Current vs. Ambient Temperature**



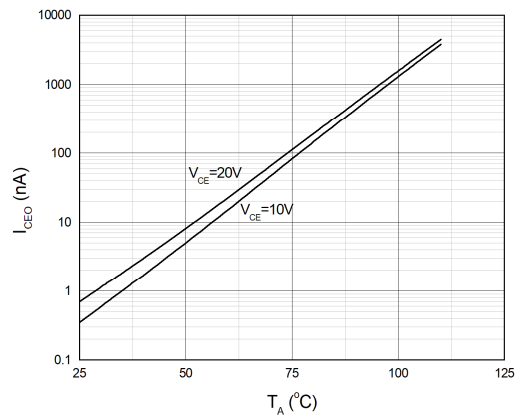
**Fig. 2 Collector Power Dissipation vs. Ambient Temperature**



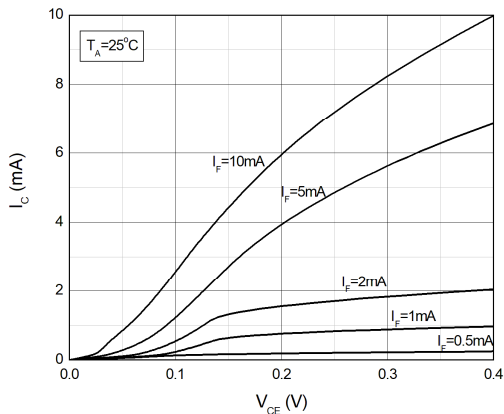
**Fig. 3 Forward Current vs. Forward Voltage**



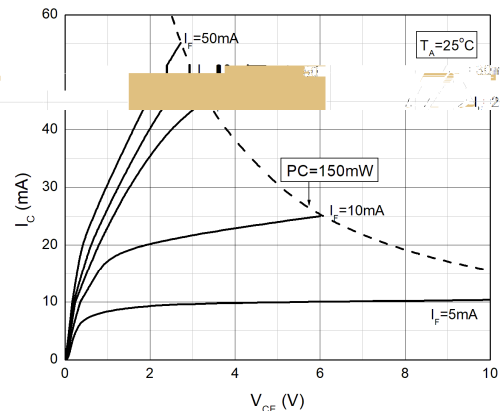
**Fig. 4 Collector Dark Current vs. Ambient Temperature**



**Fig. 5 Collector Current vs. Collector-Emitter Voltage**



**Fig. 6 Collector Current vs. Collector-Emitter Voltage**



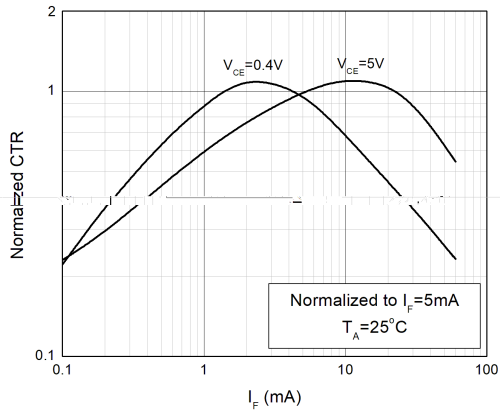


# TD356 Series

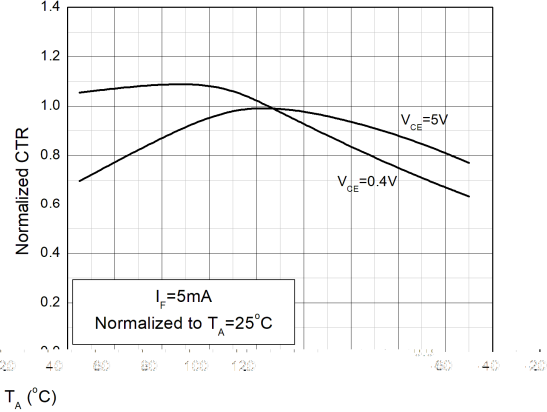
## SOP4, DC Input Photo Transistor Coupler

### CHARACTERISTICS - ES

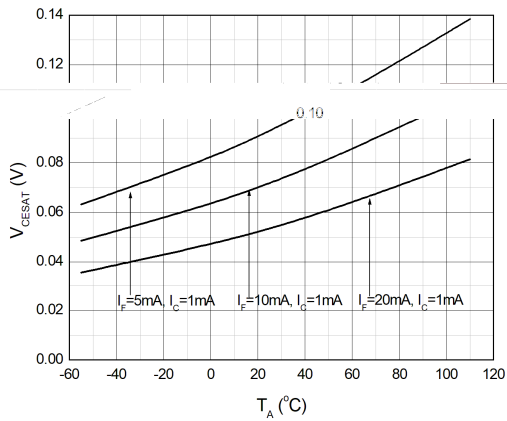
**Fig. 5 Normalized Current Transfer Ratio vs. Forward Current**



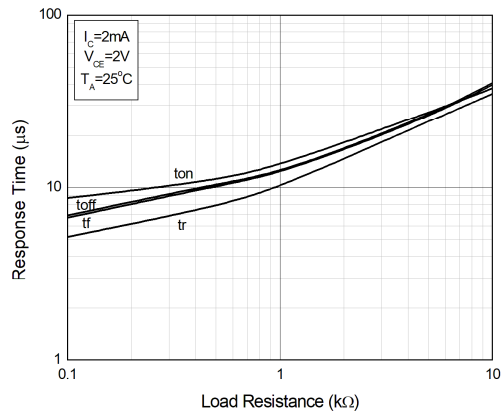
**Fig. 8 Normalized Current Transfer Ratio vs. Ambient Temperature**



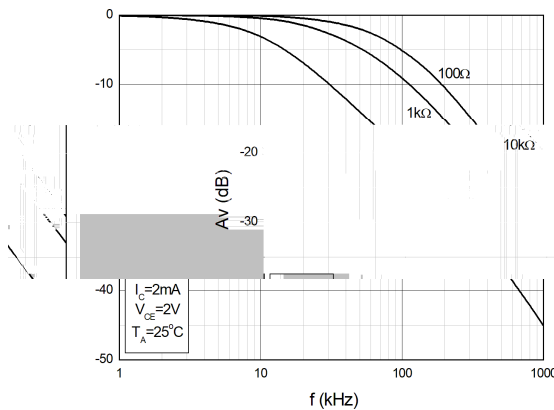
**Fig. 9 Collector-Emitter Saturation Voltage vs. Ambient Temperature**



**Fig. 10 Switching Time vs. Load Resistance**



**Fig. 11 Frequency Response**





# TD356 Series

## SOP4, DC Input Photo Transistor Coupler

### TEST CIRCUITS

Fig. 12 Test Circuit of  $t_{\text{on}}$

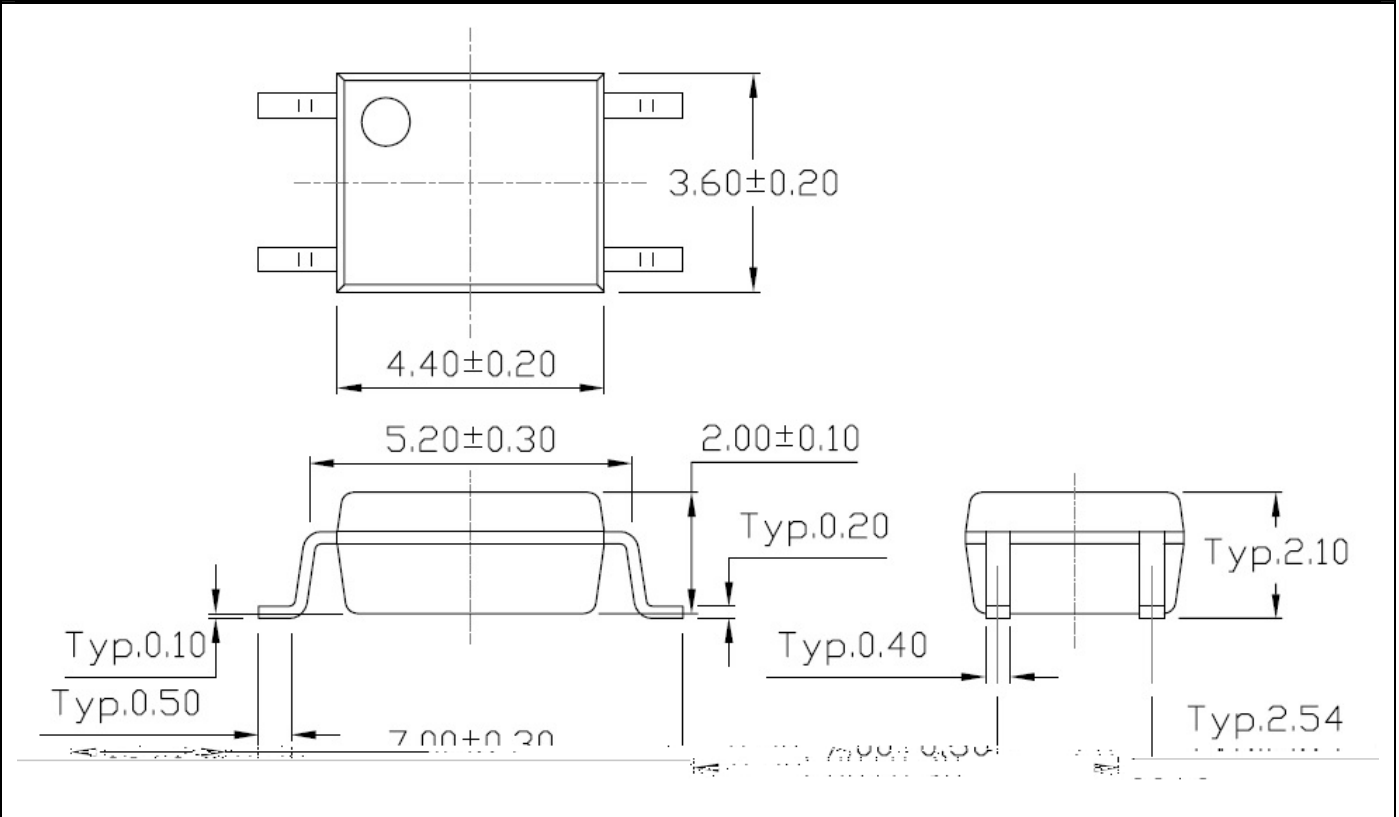
Fig. 13 Test Circuit of  $t_{\text{off}}$



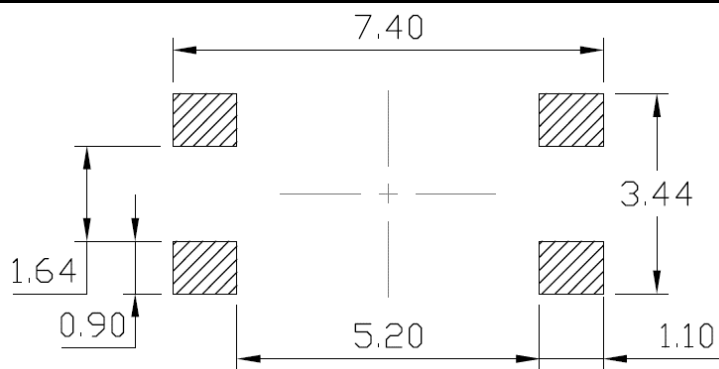
# TD356 Series

## SOP4, DC Input Photo Transistor Coupler

**PACKAGE DIMENSIONS** Dimension in mm unless otherwise stated



**Recommended Solder Mask** Dimension in mm unless otherwise stated



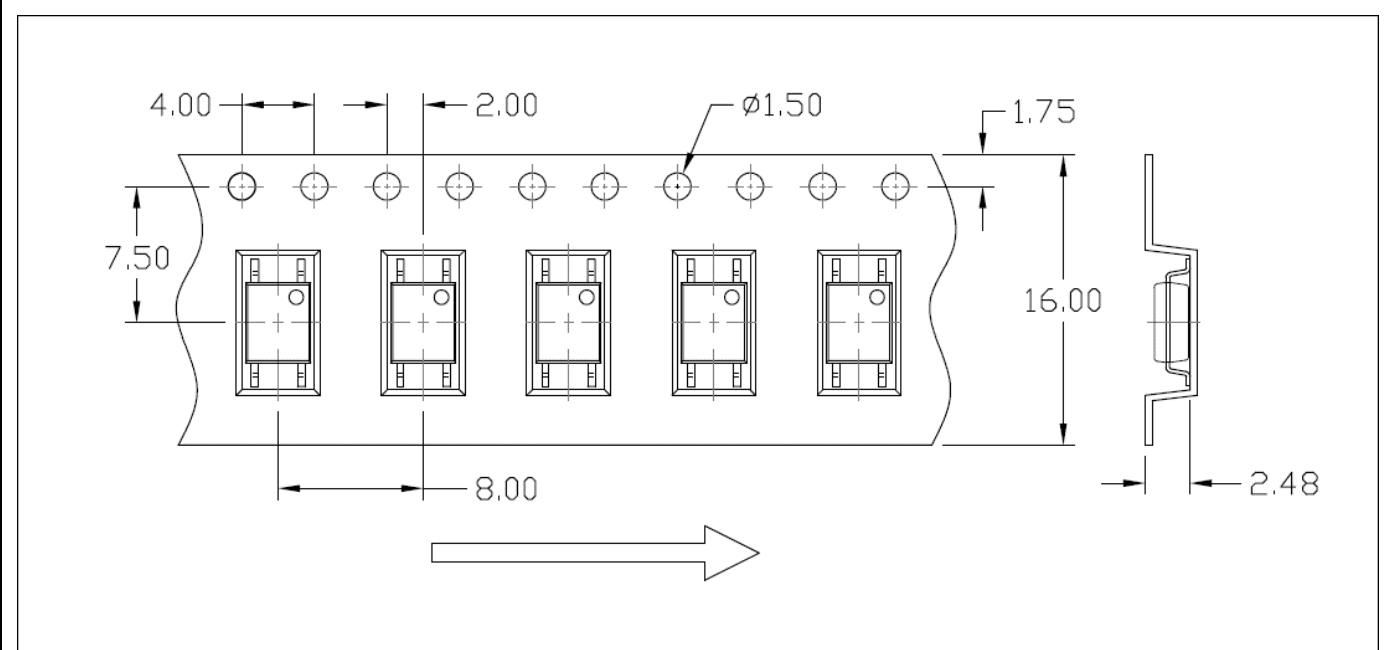


# TD356 Series

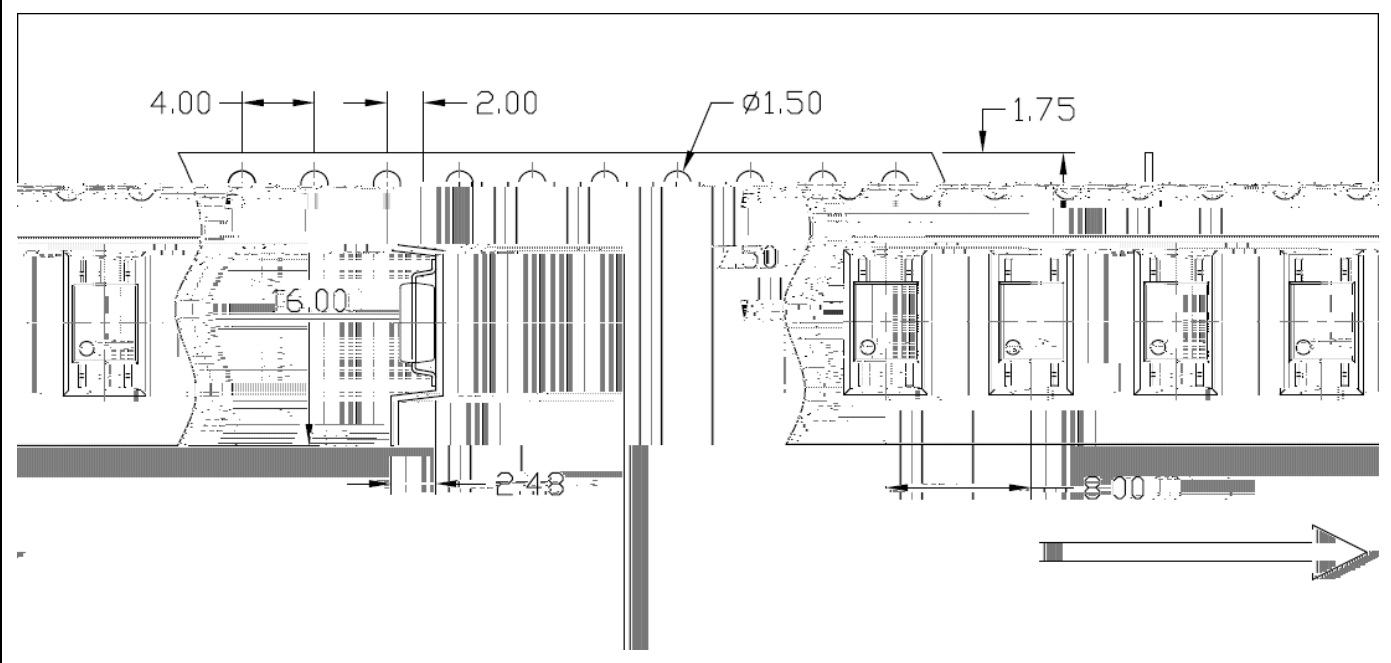
## SOP4, DC Input Photo Transistor Coupler

### TAPE SPECIFICATIONS Dimension\$ in mm & nle\$\$ other / ise \$stated=

Option T1



Option T2





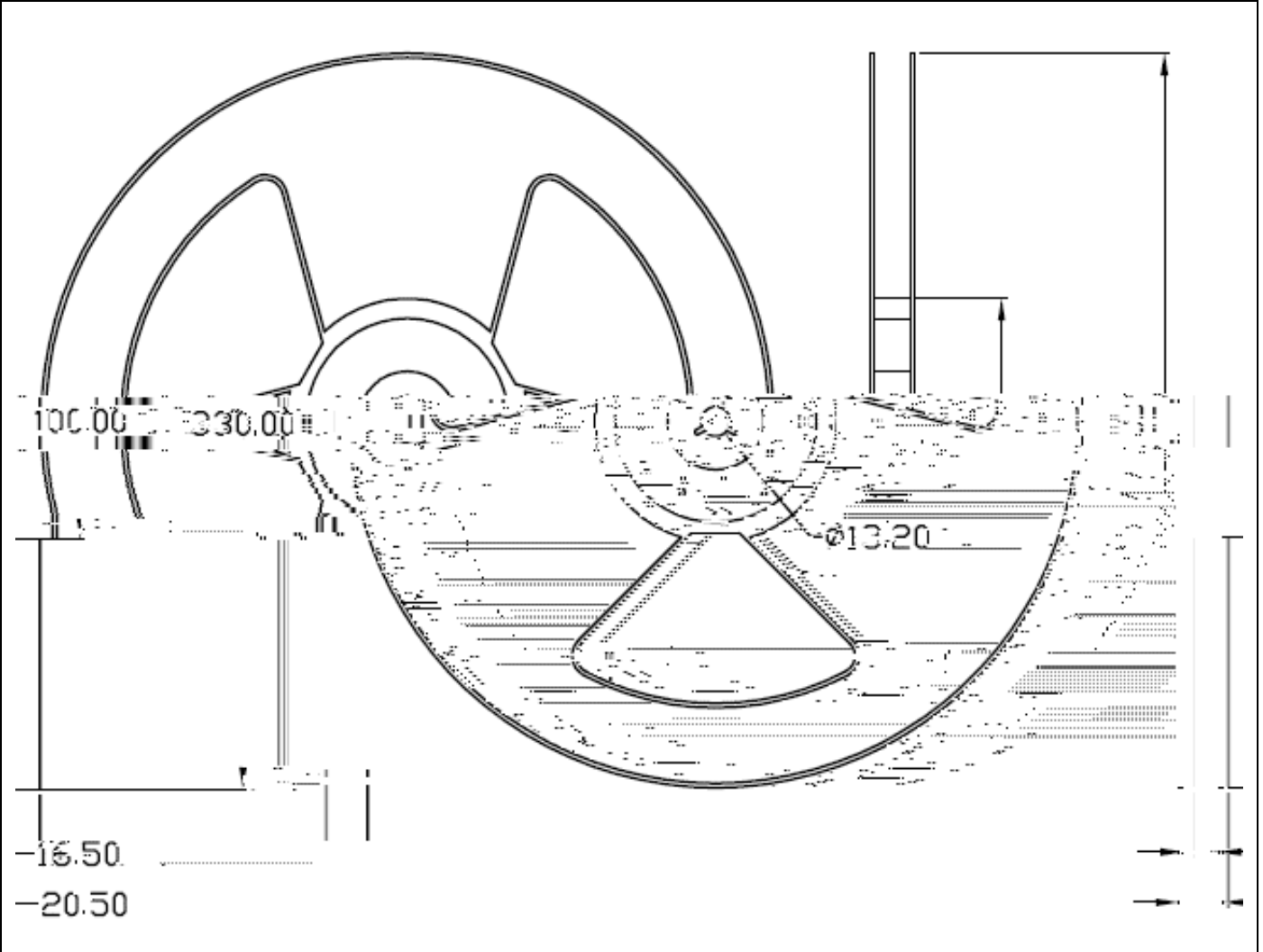


# TD356 Series

## SOP4, DC Input Photo Transistor Coupler

MECHANICAL SPECIFICATIONS Dimensions in mm unless otherwise stated

Option T1 > T2





# TD356 Series

## SOP4, DC Input Photo Transistor Coupler

### 1. ELECTRICAL SPECIFICATIONS

Inner Pin

1232" \* - 2 - 2 -

Outer Pin

1232" \* + 2 4 2 4

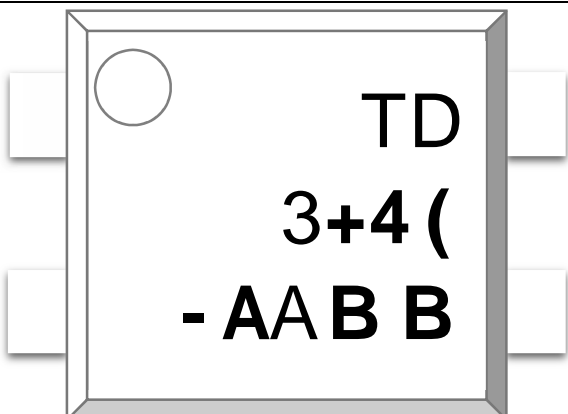


# TD356 Series

## SOP4, DC Input Photo Transistor Coupler

### ORDERING AND MARKING INFORMATION

#### MARKING INFORMATION








TD      @ Company  
 3+4    @ Part Number  
 (      @ CT)  
 -      @ -DE  
 A      @ Fiscal Year  
 A      @ Manufacturing Code  
 B B    @ B or B2

#### ORDERING INFORMATION

TD356 (CD=3! -

#### MARKING INFORMATION


**福建天电光电有限公司**  
 FUJIAN LIGHTNING OPTOELECTRONIC CO., LTD.  
 Part No : XXXXXXXXXXXX      Bin Code : X  
  
 Lot No : XXXXXXXXXXXX  
 Date Code : XXXX  
 Q'ty : XXXX pcs  




#### PACKAGING INFORMATION

Option	Environment	Environment for Inner 10?	Environment for Outer 10?



# TD356 Series

## SOP4, DC Input Photo Transistor Coupler

OBJECT INFORMATION

OBJECT PROFILE

Profile Feature

Sn3P1 Assembly Profile

P13Free Assembly



# TD356 Series

---

## SOP4, DC Input Photo Transistor Coupler

DISC#AIME )