

TD356 Series

SOP4, DC Input Photo Transistor Coupler

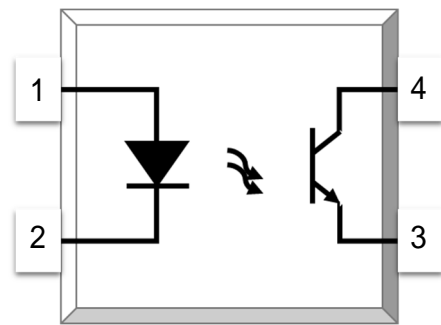
Description

Features

Applications

-
-
-
-

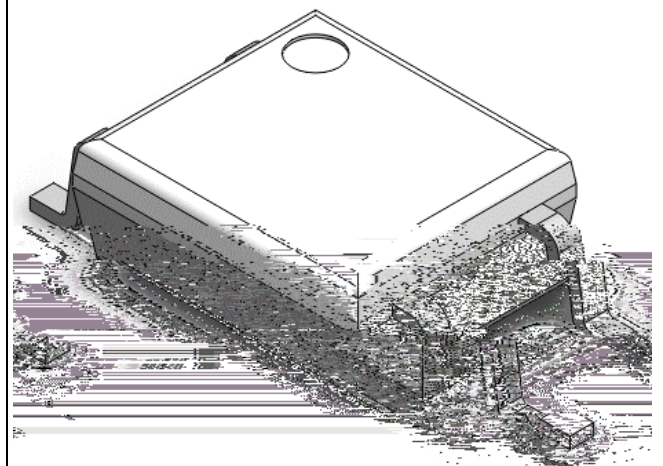
SCHEMATIC

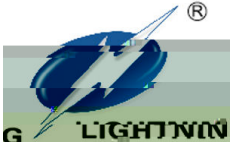


PIN DEFINITION

1. Anode
2. Cathode
3. Emitter
4. Collector

PACKAGE OUTLINE





CHARACTERISTICS - ES

Fig. 1 Forward Current vs. Ambient Temperature

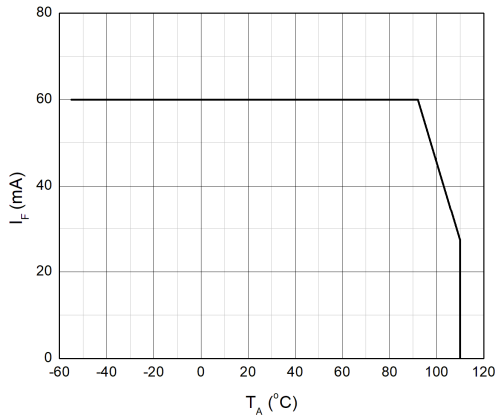


Fig. 2 Collector Power Dissipation vs. Ambient Temperature

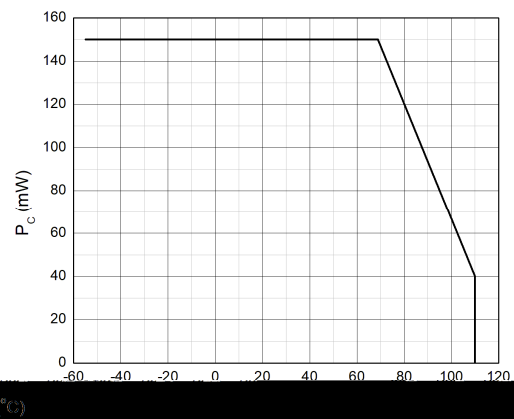


Fig. 3 Forward Current vs. Forward Voltage

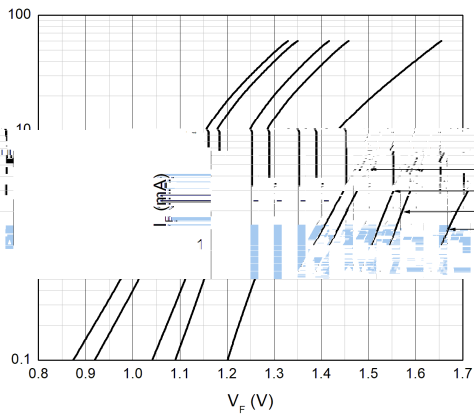


Fig. 4 Collector Dark Current vs. Ambient Temperature

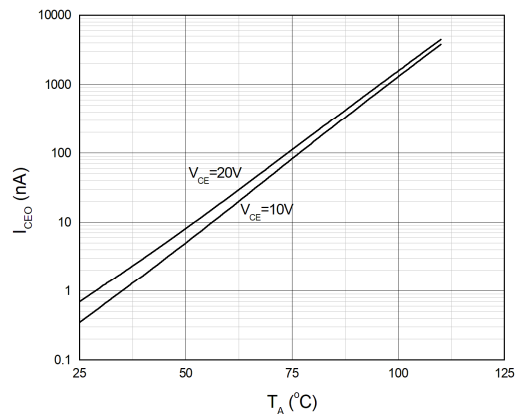


Fig. 5 Collector Current vs. Collector-Emitter Voltage

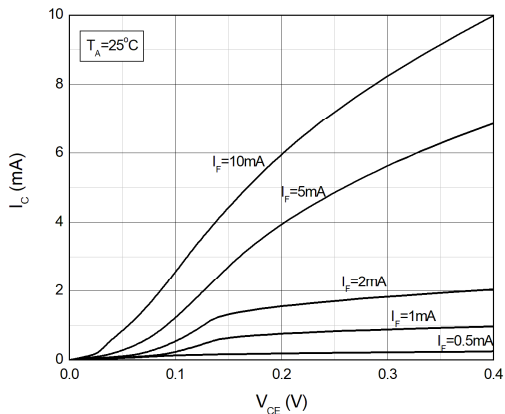
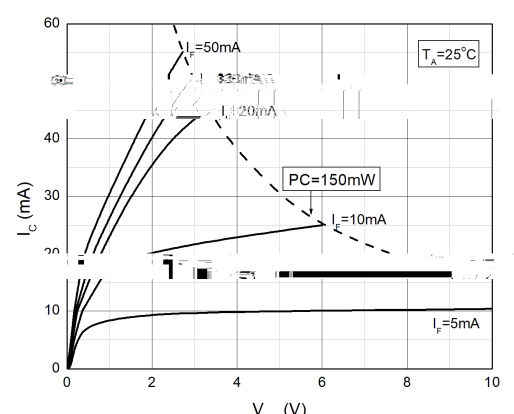
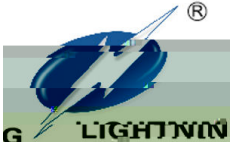


Fig. 6 Collector Current vs. Collector-Emitter Voltage





CHARACTERISTICS - ES

Fig. 5 Normalized Current Transfer Ratio vs. Forward Current

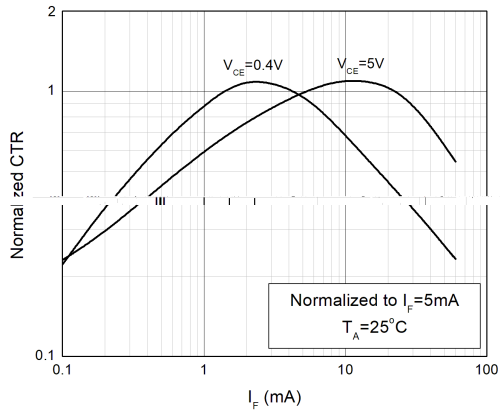


Fig. 8 Normalized Current Transfer Ratio vs. Ambient Temperature

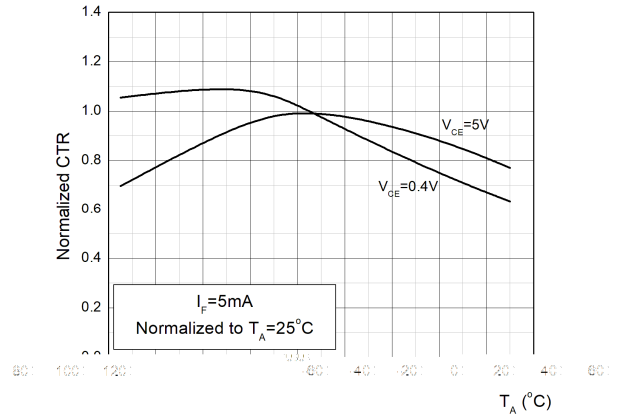


Fig. 9 Collector-Emitter Saturation Voltage vs. Ambient Temperature

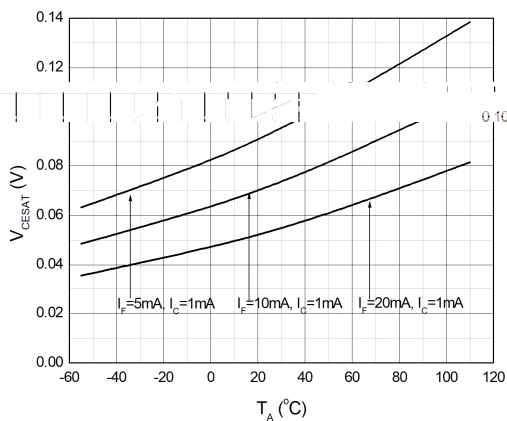


Fig. 10 Switching Time vs. Load Resistance

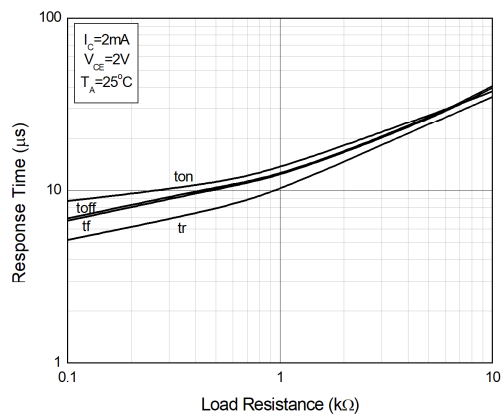
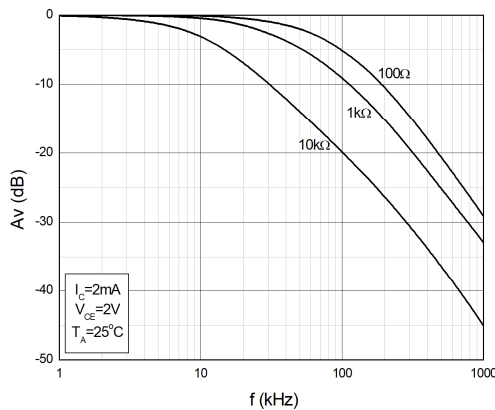
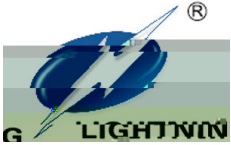


Fig. 11 Frequency Response





TD356 Series

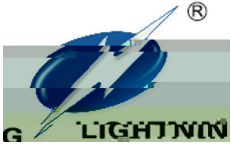
SOP4, DC Input Photo Transistor Coupler

TEST CIRCUITS

Fig. 12 Test Circuit of τ_{on} Time

Fig. 13 Test Circuit of τ_{off} Time

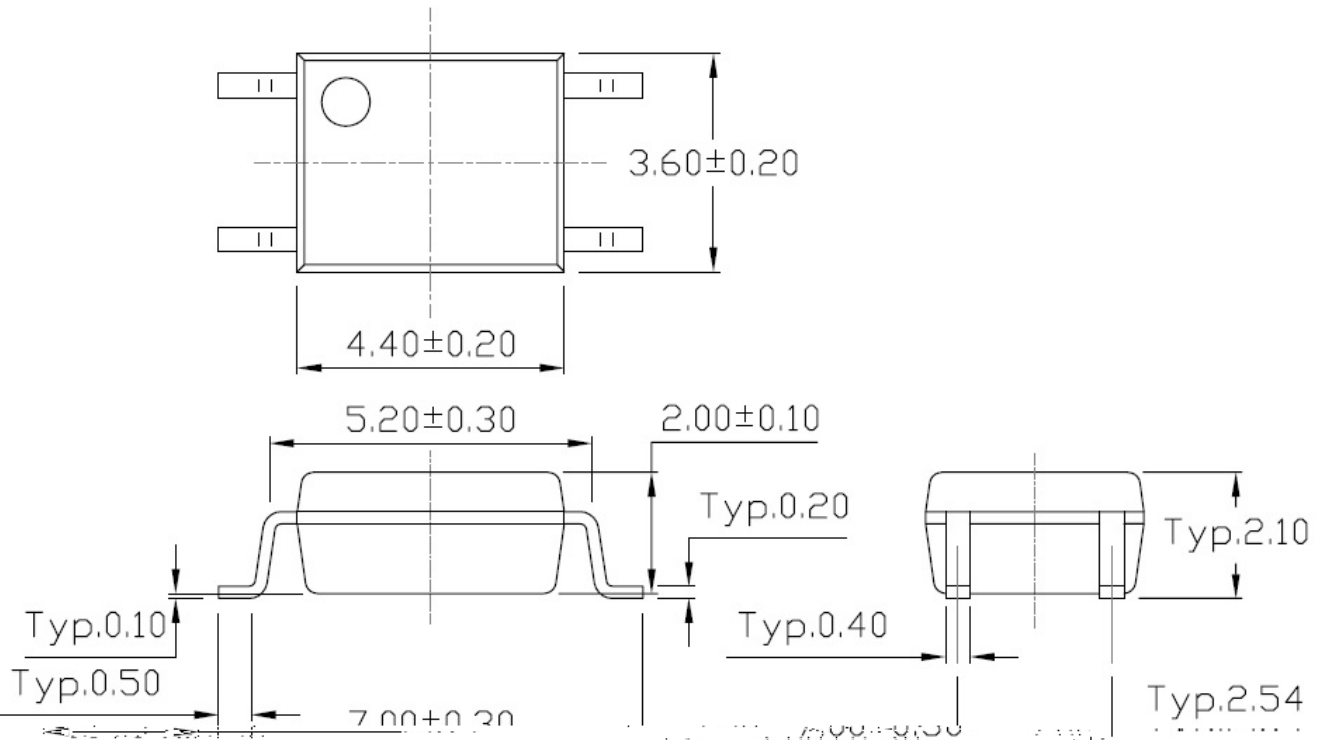
Fig. 14 Test Circuit of Frequency



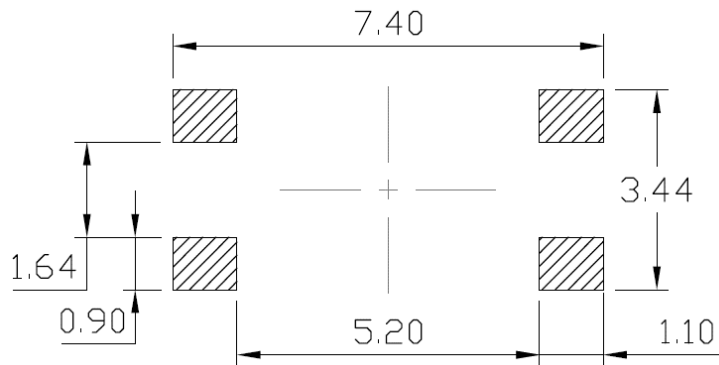
TD356 Series

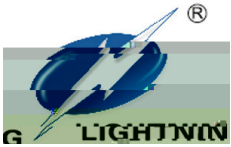
SOP4, DC Input Photo Transistor Coupler

PACKAGE DIMENSIONS (Dimensions in mm unless otherwise stated)



Recommended Solder Mask (Dimensions in mm unless otherwise stated)



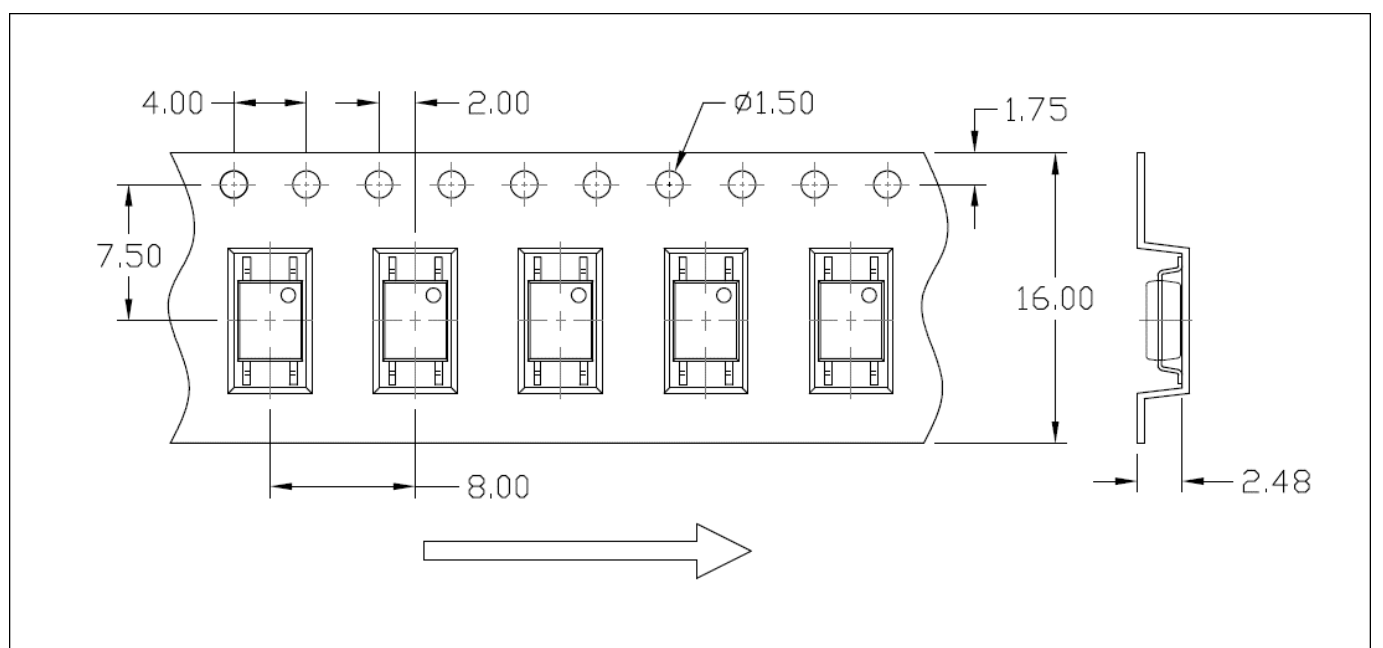


TD356 Series

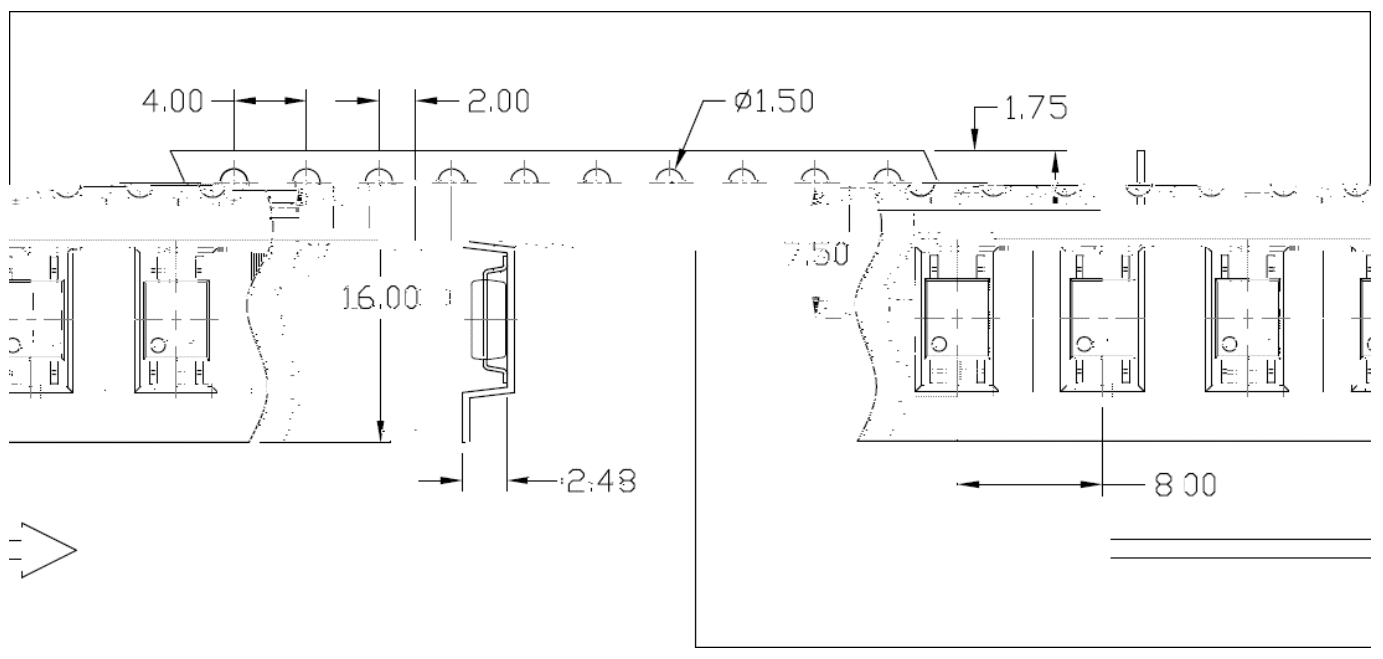
SOP4, DC Input Photo Transistor Coupler

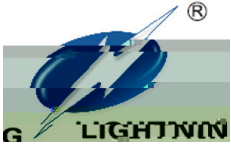
TAPE SPECIFICATIONS (Dimension\$ in mm & nle\$\$ other / i\$e \$tated=

Option T1



Option T2



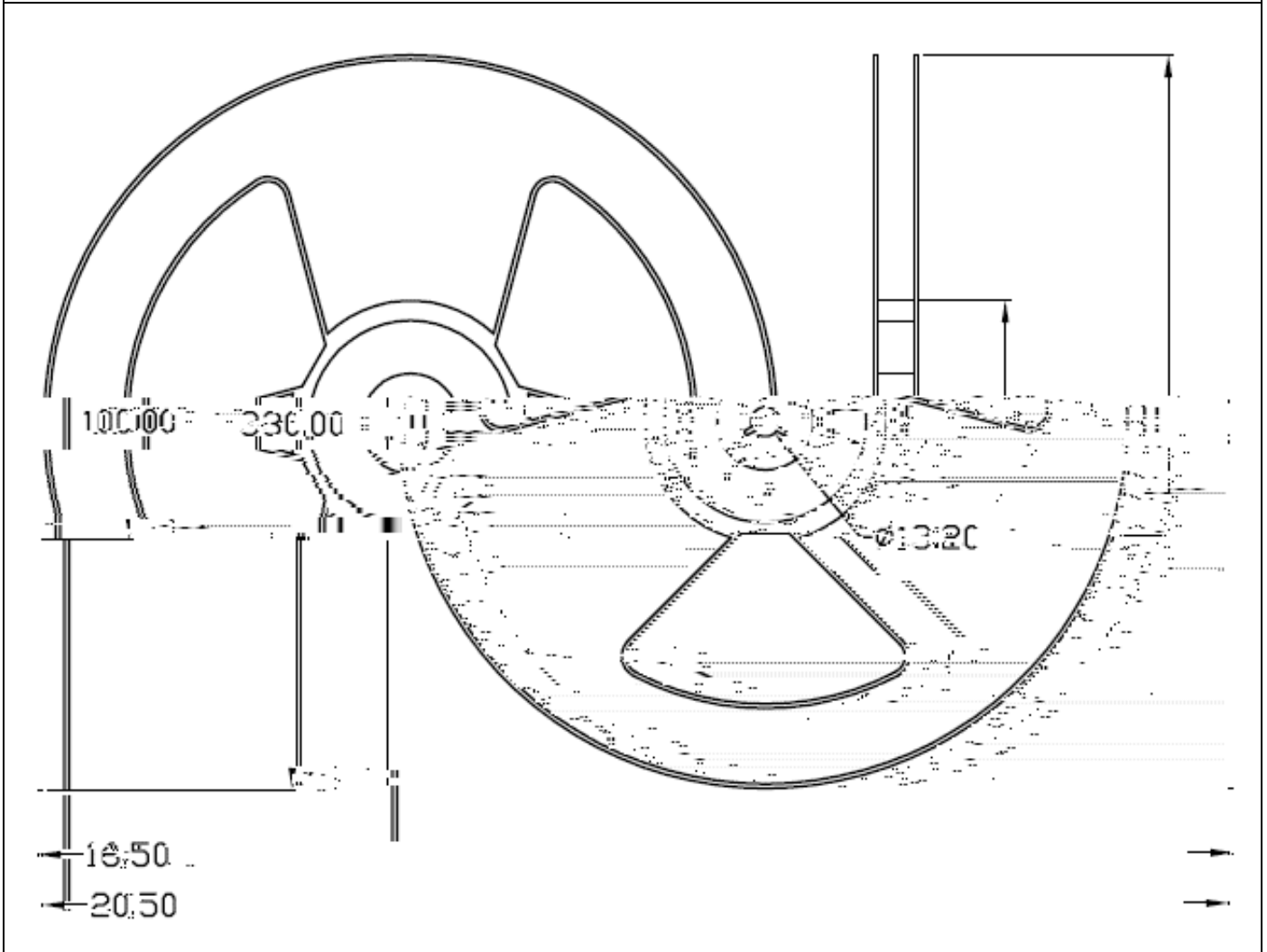


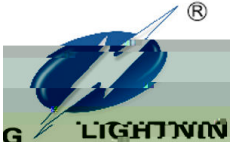
TD356 Series

SOP4, DC Input Photo Transistor Coupler

MECHANICAL SPECIFICATIONS (Dimensions in mm unless otherwise stated)

Option T1 > T2





TD356 Series

SOP4, DC Input Photo Transistor Coupler

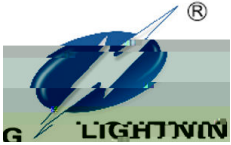
1. ELECTRICAL SPECIFICATIONS (V_{CC} = 5V)

Input Characteristics

1. Input Current (I_{IF})

Output Characteristics

1. Output Current (I_{OF})

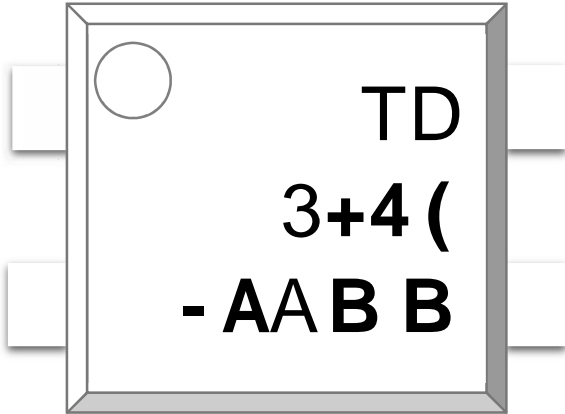


TD356 Series

SOP4, DC Input Photo Transistor Coupler

ORDERING AND MARKING INFORMATION

MARKING INFORMATION








TD @ Component
 3+4 @ Part Number
 (@ CT)
 - @ -DE Option
 A @ Fiscal Area
 A @ Manufacturing Code
 B B @ B or B2

ORDERING INFORMATION

TD356 (CD=3! -

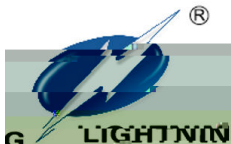
MARKING INFORMATION


福建天电光电有限公司
 FUJIAN LIGHTNING OPTOELECTRONIC CO., LTD.

Part No : XXXXXXXXXXXX Bin Code : X

 Lot No : XXXXXXXXXXXX
 Date Code : XXXX
 Q'ty : XXXX pcs




PACKAGING INFORMATION

Option	Environment	Environment for Inner 10?	Environment for Outer 10?



TD356 Series
SOP4, DC Input Photo Transistor Coupler

DISC#AIME)