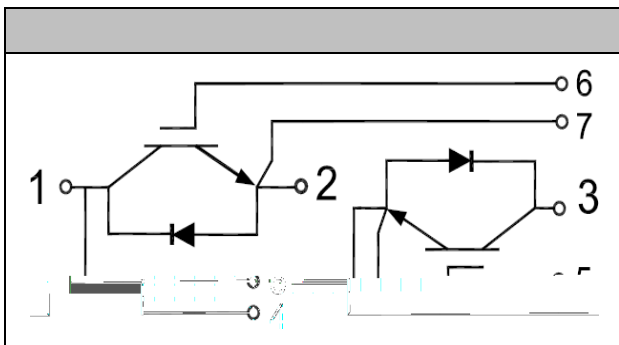


IGBT Modules

V_{CES}
 I_c

Applications



Features

● IGBT

Absolute Maximum Ratings

Parameter	Symbol	Conditions	Value	Unit



MG200HF12LEC2



● Diode

Absolute Maximum Ratings

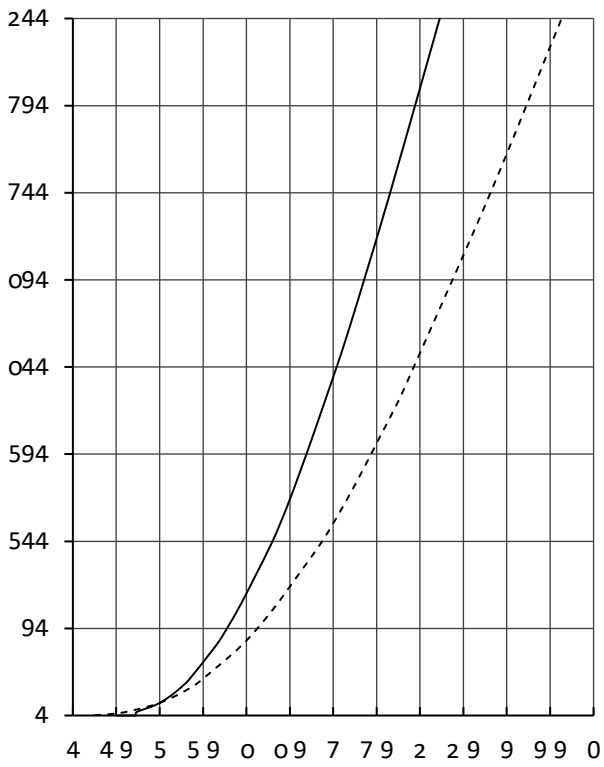
Parameter	Symbol	Conditions	Value	Unit

Characteristic values

Parameter	Symbol	Conditions	Value			Unit
			Min.	Typ.	Max.	

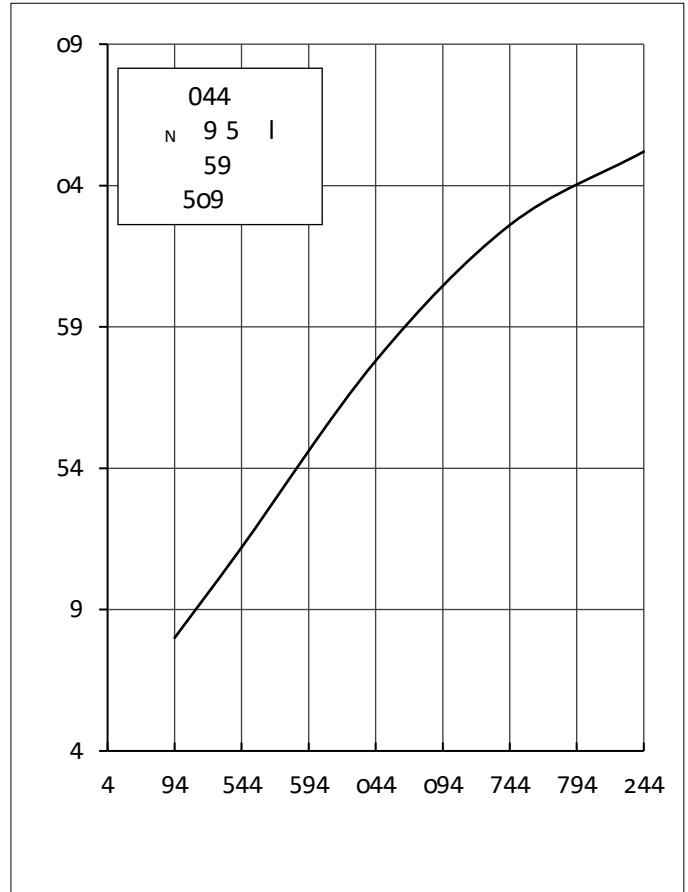
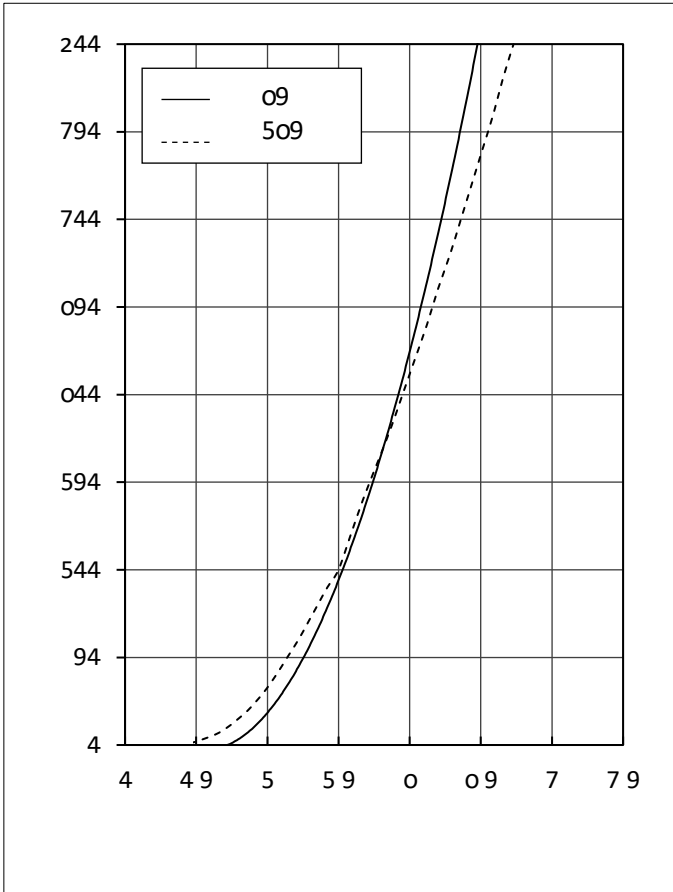
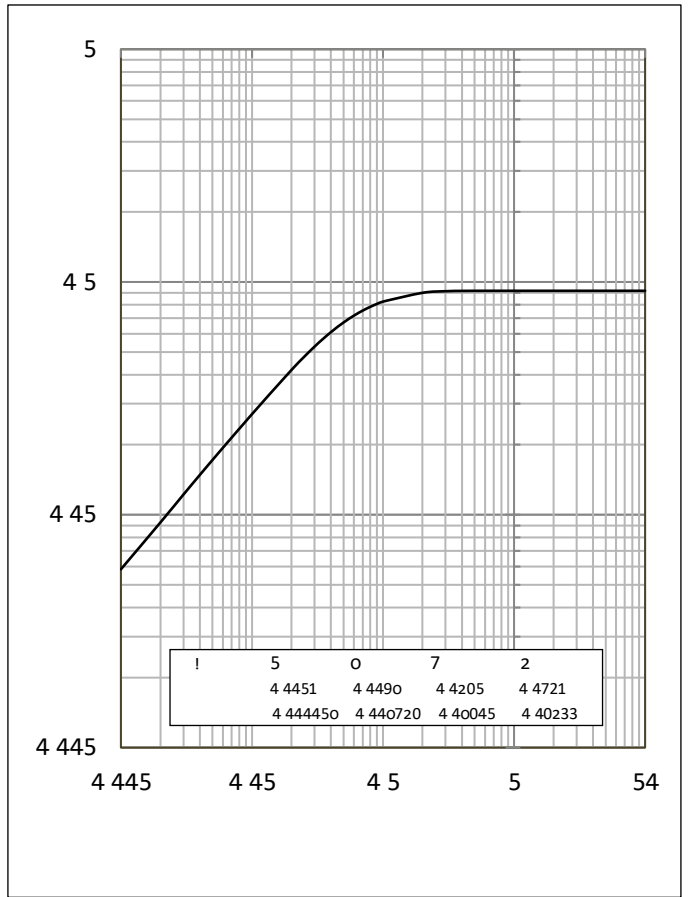
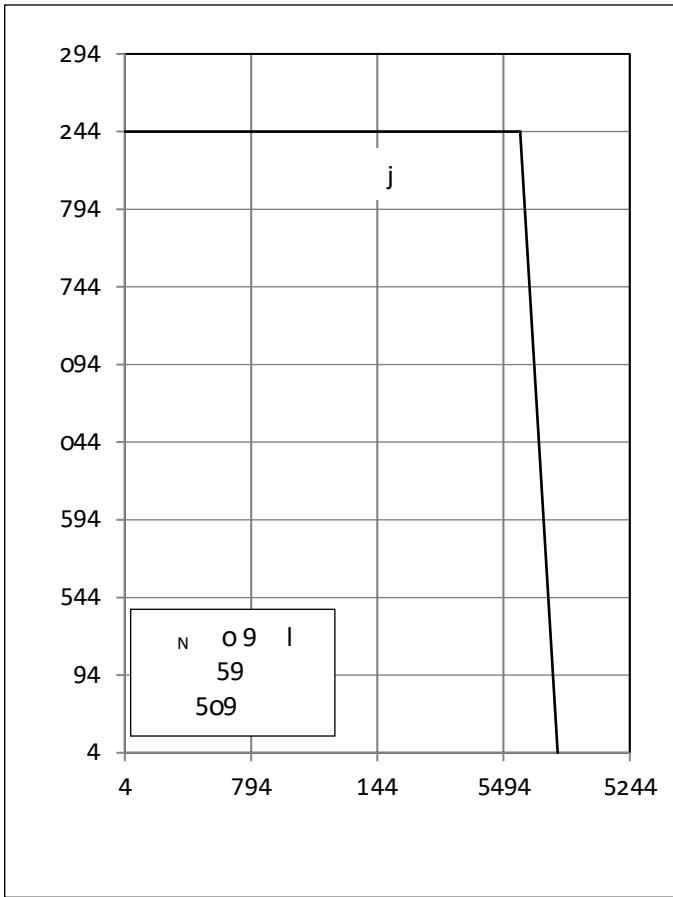


MG200HF12LEC2





MG200HF12LEC2





MG200HF12LEC2

