

Parameter	Symbol	Min.	Max.	Unit
Forward Voltage at $I_F = 10 \text{ mA}$	V_F	-	1	V
Reverse Breakdown Voltage at $I_R = 100 \text{ }\mu\text{A}$ at $I_R = 5 \text{ }\mu\text{A}$	$V_{(BR)R}$	100 75		

Typical Characteristics

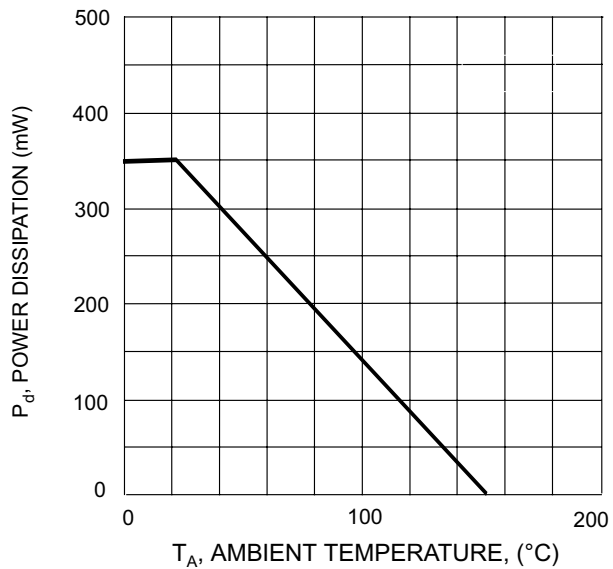


Fig. 1 Power Derating Curve

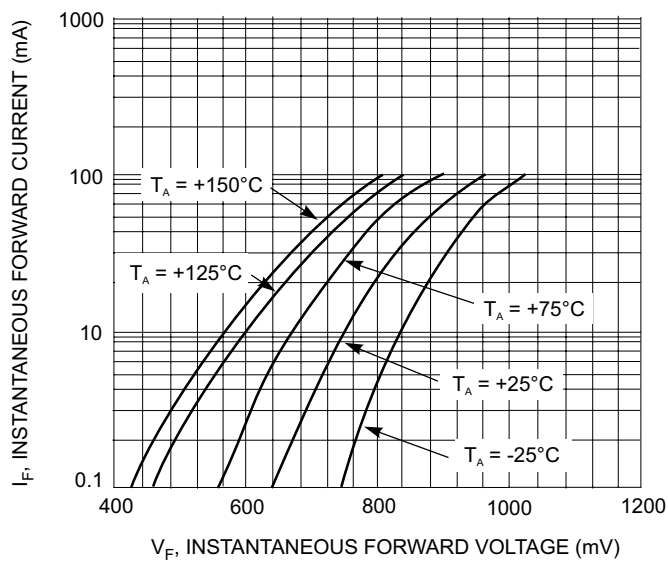
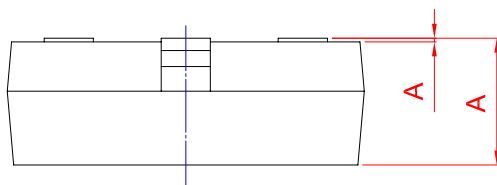
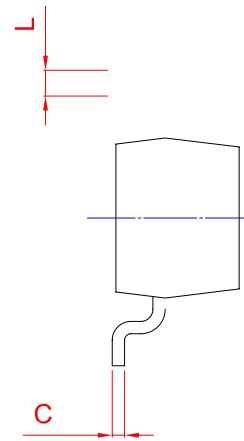
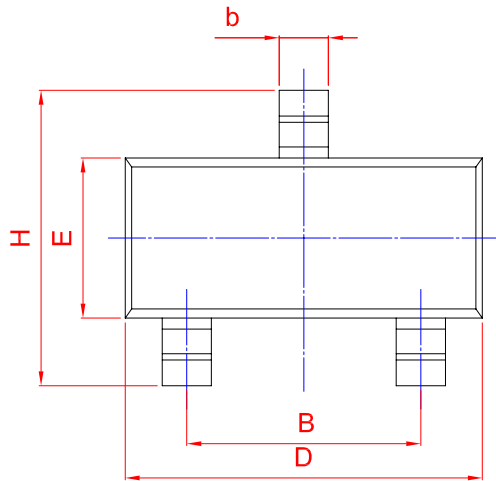
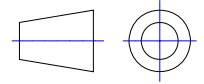


Fig. 2, Typical Forward Characteristics



UNIT	A				D	E		A1	
mm	1								

1