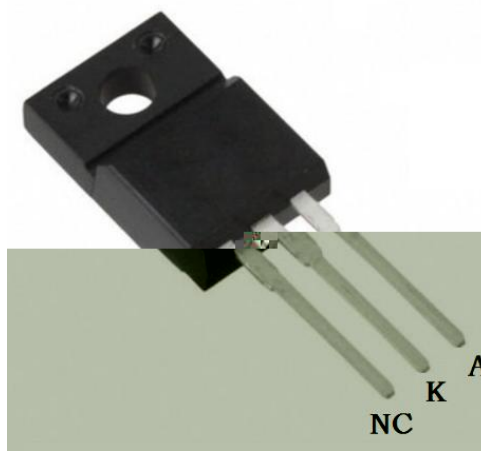


DK5V100R20ST1
 A K
 PN 100V
 NMOS

- USB
-
- LED

DK5V100R20ST1 TO-220F

- PSR SSR
- V_F
-
- 100V 20m NMOS
- CCM DCM&QR
-
-
- EMC
-

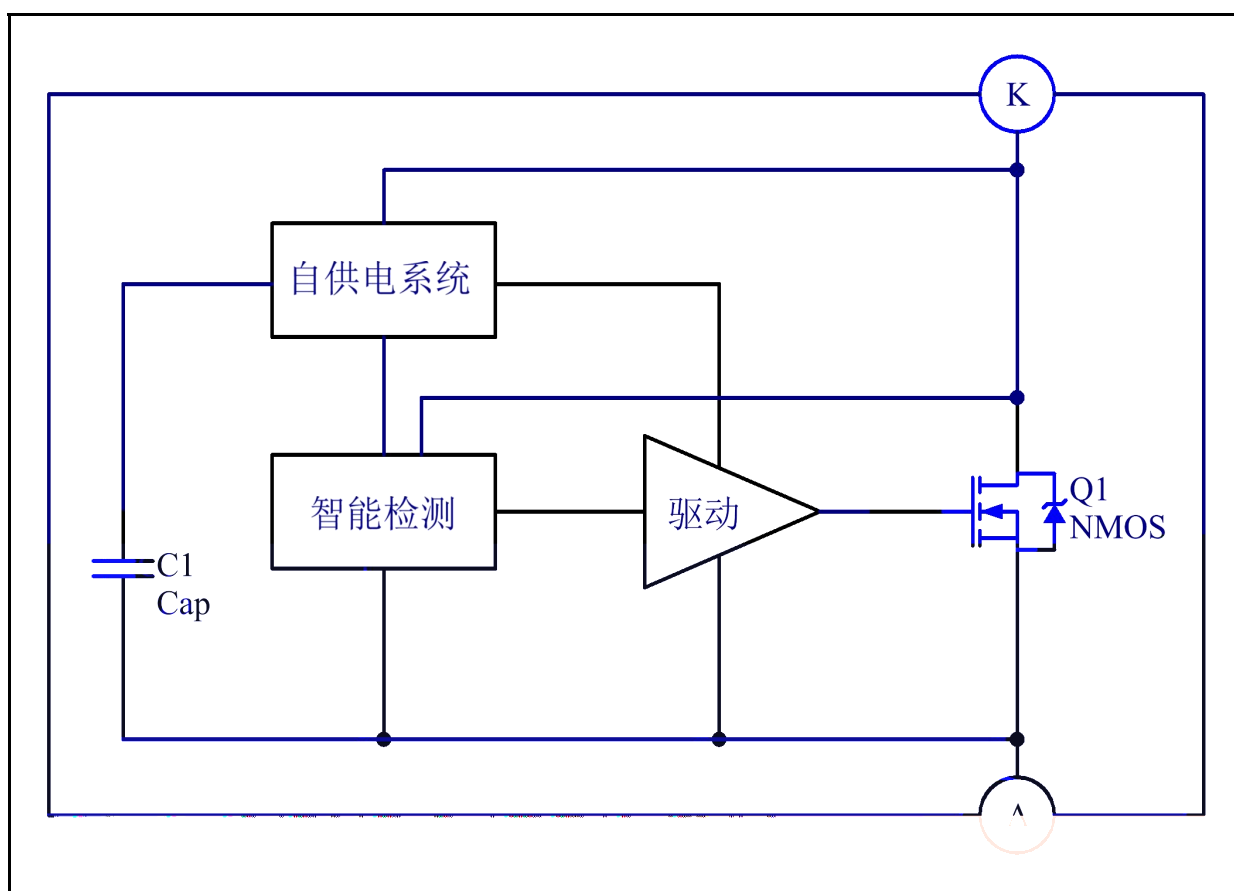


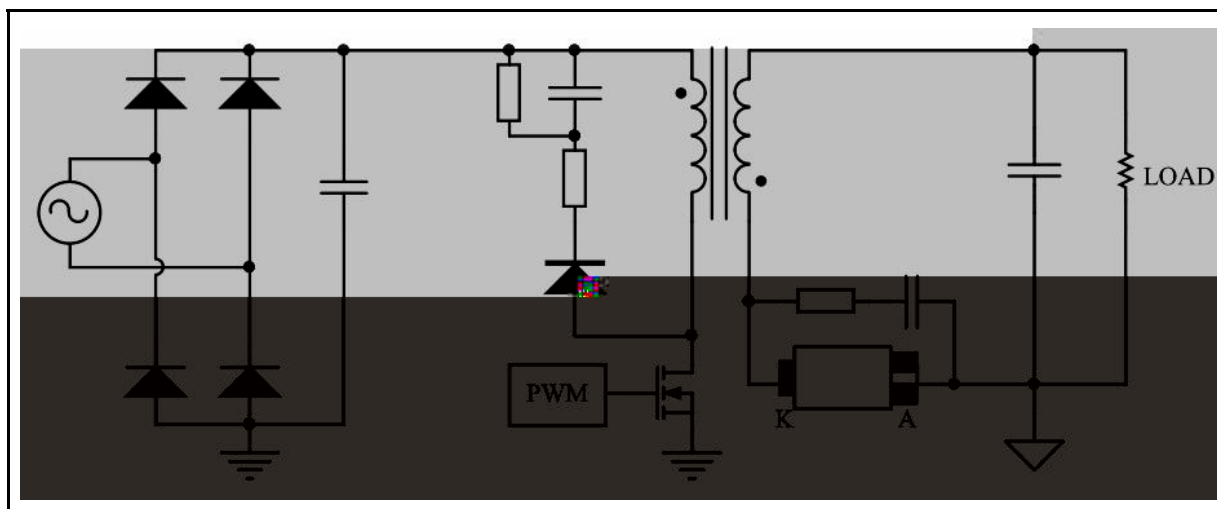
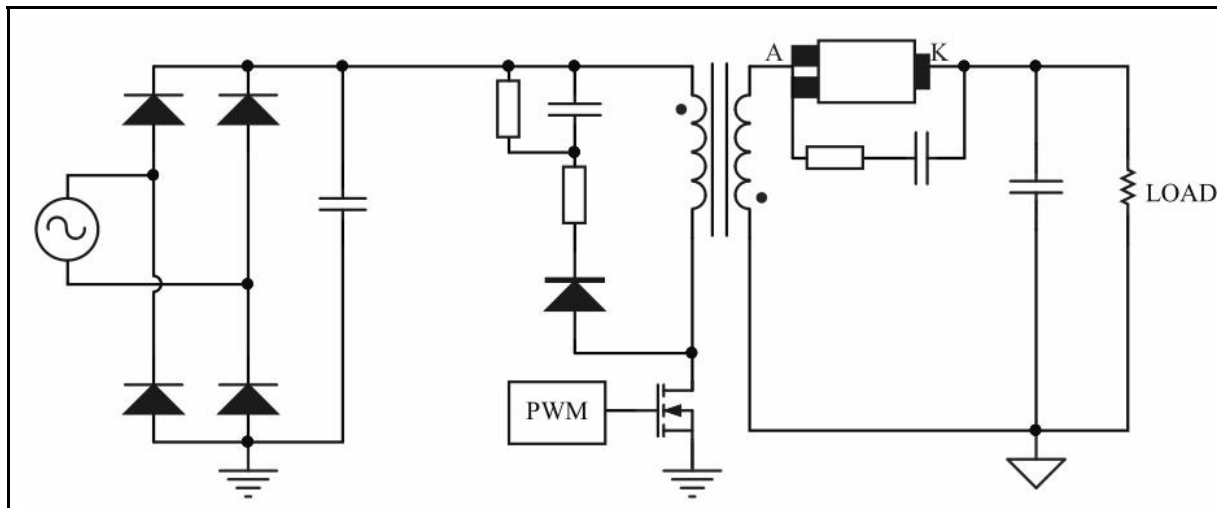
1	NC	
2	K	
3	A	

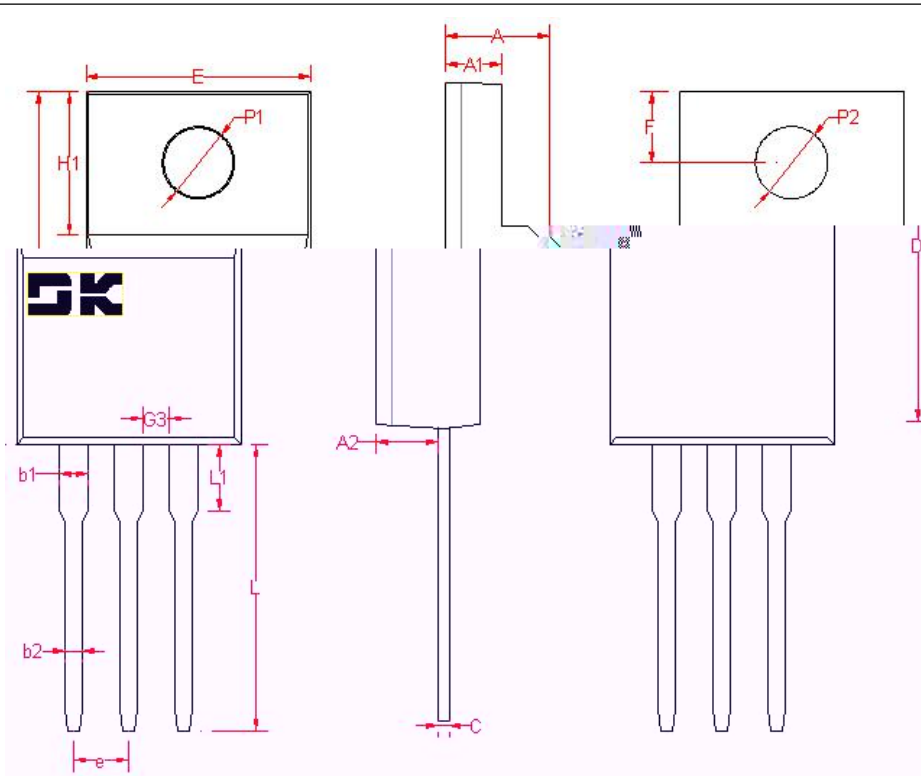
45

, DK5V100R20ST1

3A







A	4.65	4.72	4.80
A1	2.50	2.55	2.60
A2	2.70	2.75	2.80
C	0.50	0.55	0.60
E	10.05	10.15	10.25
H1	6.70REF		
D	15.80	16.00	16.20
G3	1.20	1.30	1.40
b1	1.25	1.35	1.45
b2	0.80	0.85	0.90
e	2.54BSC		
L	12.90	13.00	13.10
L1	2.95	3.00	3.05
P1	3.12	3.15	3.18
P2	3.25	3.30	3.35
F	3.20	3.30	3.40

 <p>WARNING! ESD SENSITIVE DEVICE</p>	ESD
---	-----

- ▼
- ▼
- ▼
- ▼
- ▼
- ▼
- ▼

- ▼