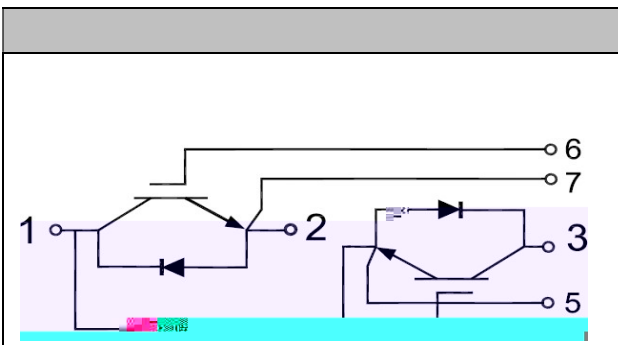




-, , R
0, =

- Dēdbam aj ea
- Ckh ē a a
- QLO Qj ē a l e l a Lk a O l l r a
- A l a e a h ē c i d ē a



- Dēd l a a E P ē JLP a d j k l k c
- H k e d ē c k a
- Dēd d k e e l e - ,
- E h ē c h b k b a k a j ē l h a h B S
- H k ē j a
- l ē i f j ē j a i l a a -1, °C

khā k)Ai ea Rkh ca	R_{AO}	$R_{CA9}, R(E 9-i) = (P_f 9. 1^{\circ}C)$	-, , R	R
kj ē k khā k aj	E	$P 94, ^{\circ}C$	0,	=
Nal a eea La g khā k aj	E_{NI}	l 9-i	4,	=
C a)Ai ea Rkh ca	R_{CAO}	$P_f 9. 1^{\circ}C$	$\pm . ,$	R
Pk hLk a e ē ē j	L_k	$P 9. 1^{\circ}C$ $P_{fi} 9-1, ^{\circ}C$	/-.	S



C a)ai ea Pd a dkh Rkh ca	R _{CA d}	R _{CA9R_A} E 9- 2i = (P f9. 1°C	1,	14	21	R
klā k)Ai ea)kṭb aj	E _{AO}	R _{A9-} ., R(R _{CA9} , R(P f9. 1°C			-,	i =
klā k)Ai ea O ēj Rkh ca	R _A	E90, = (R _{CA9} -1R(P f9. 1°C		.	/ 1	R
		E90, = (R _{CA9} -1R(P f9. 1°C		.	/	
Ēl l e j a		R _{A9. 1R} (R _{CA9} , R(/ 1		jB
Na a aP j ṭā l e j a		b9-I D (P f9. 1°C		, .		jB
C a)Ai ea ṭā g ca aj	E _{AO}	R _{A9} , R(R _{CA9} ., R(P f9. 1°C			0, ,	j=
P j)kj ah Pē a				.	-	j
NeaPē a		E 90, = R _{A9 2} ., R		0.		j
P j)kṭb ah Pē a		R _{CA9} -1R		- .		j
B ṭhPē a		N _{CKJ 9} -, N _{CKBB 91} -		. 4		j
Ajac e ē ēj ēc P j)kj Pē a	A _{kj}	H 9/1jD H 9/. , D		/ 3		i F
Ajac e ē ēj ēc P j)kṭbPē a	A _{kṭb}	P f9. 1°C		- 1		i F
P j)kj ah Pē a				. 4		j
NeaPē a		E 90, = R _{A9 2} ., R		01		j
P j)kṭb ah Pē a		R _{CA9} -1R		. 1,		j
B ṭhPē a		N _{CKJ 9} -, N _{CKBB 91} -		/,		j
Ajac e ē ēj ēc P j)kj Pē a	A _{kj}	H 9/1jD H 9/. , D		1 -		i F
Ajac e ē ēj ēc P j)kṭbPē a	A _{kṭb}	P f9-. 1°C		. .		i F
O	E	P _I -, (R _{CA9} -1R(P f9-. 1°C(R 92, R(R _A -., , R		. 0,		=



Nal a eea La gNa a aRkh ca	R _{NNI}	P, 9. 1°C	- . . ,	R
kj ė k Bk aj	Б		0,	=
Nal a eea La gBk aj	Б _{NI}	i 9-i	4,	=

Bk Rkh ca	R _{NI}	Б90, = (P, 9. 1°C	- 41 . - ,	R
		Б90, = (P, 9. 1°C	- 4,	
Na k a a d ca	M _{NI}	Б 90, =	. 41	
La gNa a aNa k a aj	Б	R _N 92, , R) 9 , , =	01	=
Na a aNa k a Ajac	A _{NI}	P, 9. 1°C	, 4,	i F
Na k a a d ca	M _{NI}	Б 90, =	1 -2	
La gNa a aNa k a aj	Б	R _N 92, , R) 9 , , =	1,	=
Na a aNa k a Ajac	A _{NI}	P, 9. 1°C	- 11	i F



Ekh & j kh ca	R_{ekh}	9-i & j (01, D	.1,,			R
I & i F j & j Pai la a	P_{fi}				-1,	°C
Kla & c F j & j Pai la a	P_{fkl})0,		- .1	°C
Ok ca Pai la a	P_c)0,		- .1	°C
Pda i hNa e j a F j & j)k a	N_{eF}	la & P				GS
		la & a				
Pda i hNa e j a a)k O& j g	N_{eO}	kj eaca a ll& a		, ,1		GS
I k & a A& a k a Fk ma	I	Na ki i aj a l 1	. 1		1,	J i
I k & a)k)O& j g Fk ma	I	Na ki i aj a l 2	/ ,		1,	J i
S a& d kbl k & a	C				-1,	c

