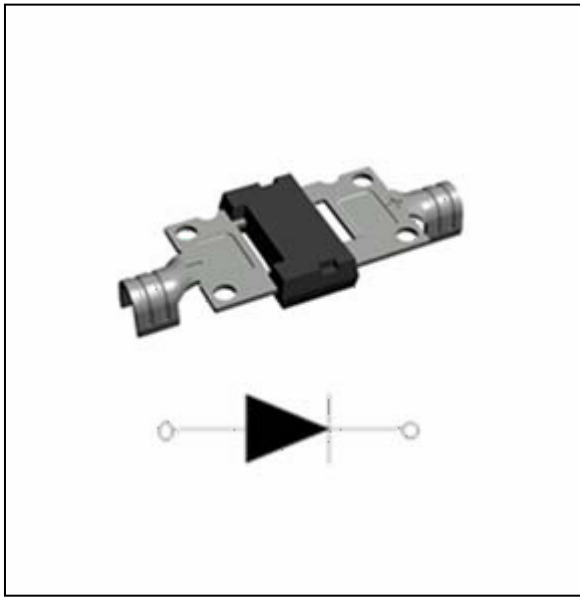




GFMK3045P

Schottky Bypass Diode Module



Features

Typical Applications

Mechanical Data

Package:

Terminals:

Polarity:

Maximum Ratings

PARAMETER	SYMBOL	UNIT	GFMK3045P

Note

Electrical Characteristics

PARAMETER	SYMBOL	UNIT	TEST CONDITIONS	GFMK3045P

Thermal Characteristics

PARAMETER	SYMBOL	UNIT	GFMK3045P

Note



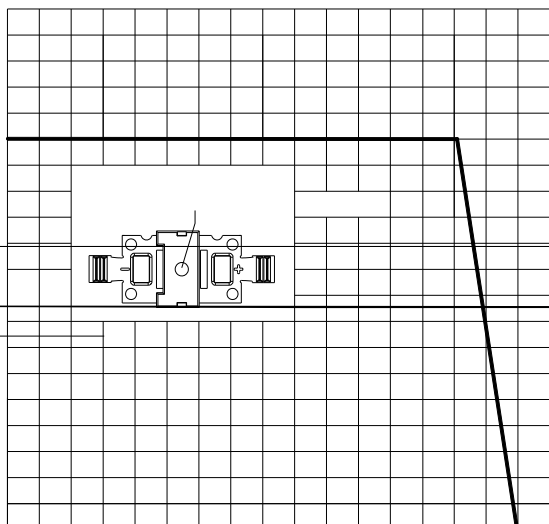
GFMK3045P

Ordering Information

PREFERRED P/N	UNIT WEIGHT(g)	MINIMUM PACKAGE(pcs)	INNER BOX QUANTITY(pcs)	OUTER CARTON QUANTITY(pcs)	DELIVERY MODE

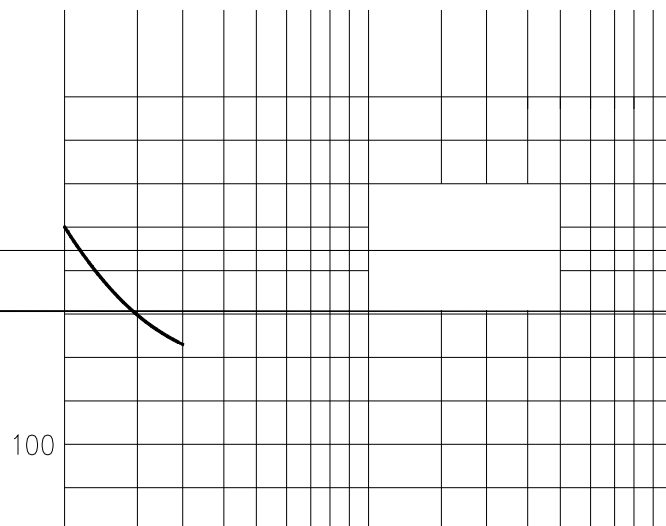
Characteristics

FIG1:Io -Tc Curve

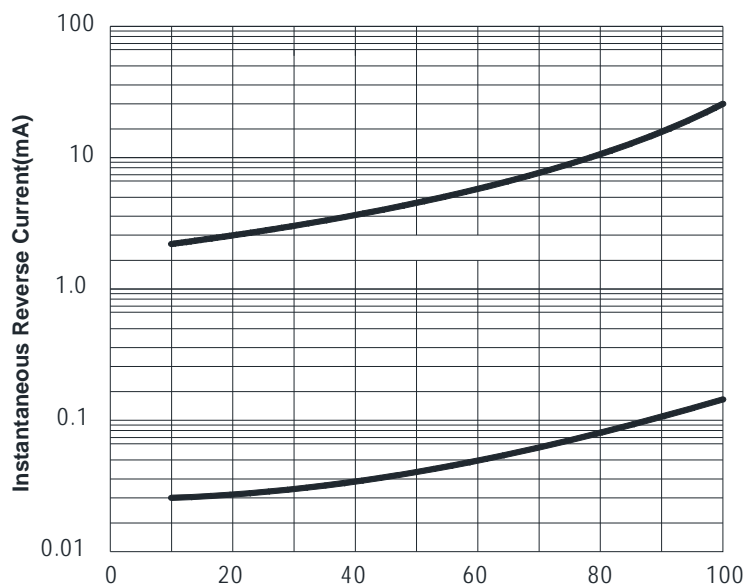
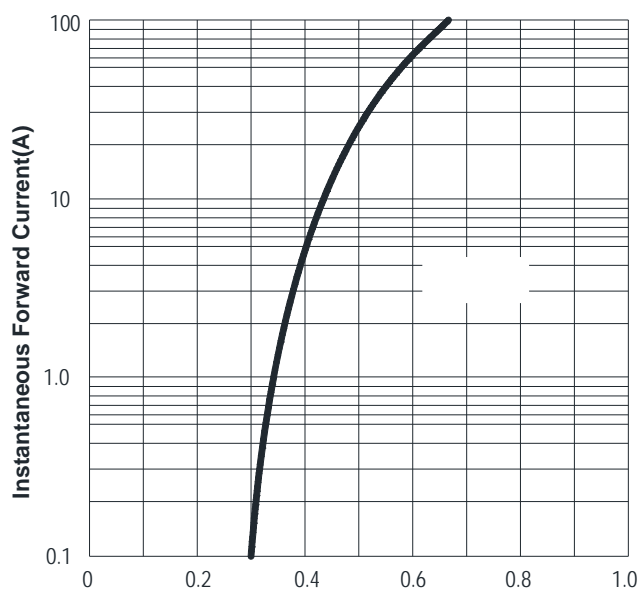


Case Temperature

FIG2: Surge Forward Current Capability



Number of Cycles at 60Hz





Disclaimer
