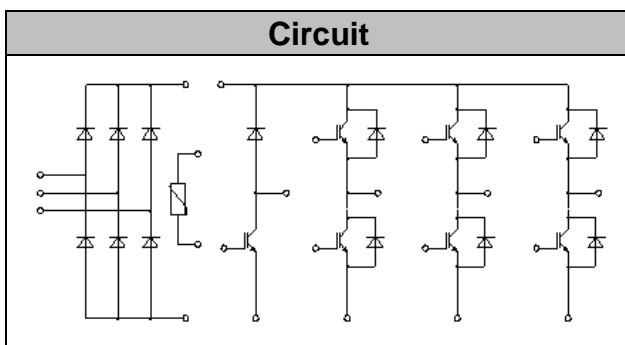


IGBT Modules

VCES

IC

Applications



Features

-
-
-
-
-
-
-

IGBT- inverter

Absolute Maximum Ratings

Parameter	Symbol	Conditions	Value	Unit



Diode-inverter Absolute Maximum Ratings

Parameter	Symbol	Conditions	Value	Unit

Characteristic values

Parameter	Symbol	Conditions	Value			Unit
			Min.	Typ.	Max.	



Diode-Brake-Chopper

Absolute Maximum Ratings

Parameter	Symbol	Conditions	Value	Unit

Characteristic values

Parameter	Symbol	Conditions	Value			Unit
			Min.	Typ.	Max.	



Diode-Rectifier Absolute Maximum Ratings

Parameter	Symbol	Conditions	Value	Unit

Characteristic values

Parameter	Symbol	Conditions	Value			Unit
			Min.	Typ.	Max.	

NTC-Thermistor Characteristic values

Parameter	Symbol	Conditions	Value			Unit
			Min.	Typ.	Max.	



Module Characteristics ()

Parameter	Symbol	Conditions	Value			Unit
			Min.	Typ.	Max.	

