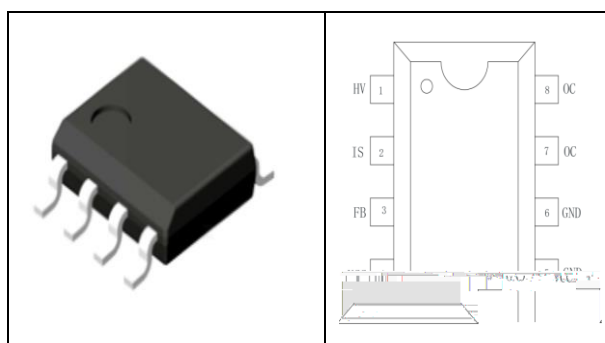
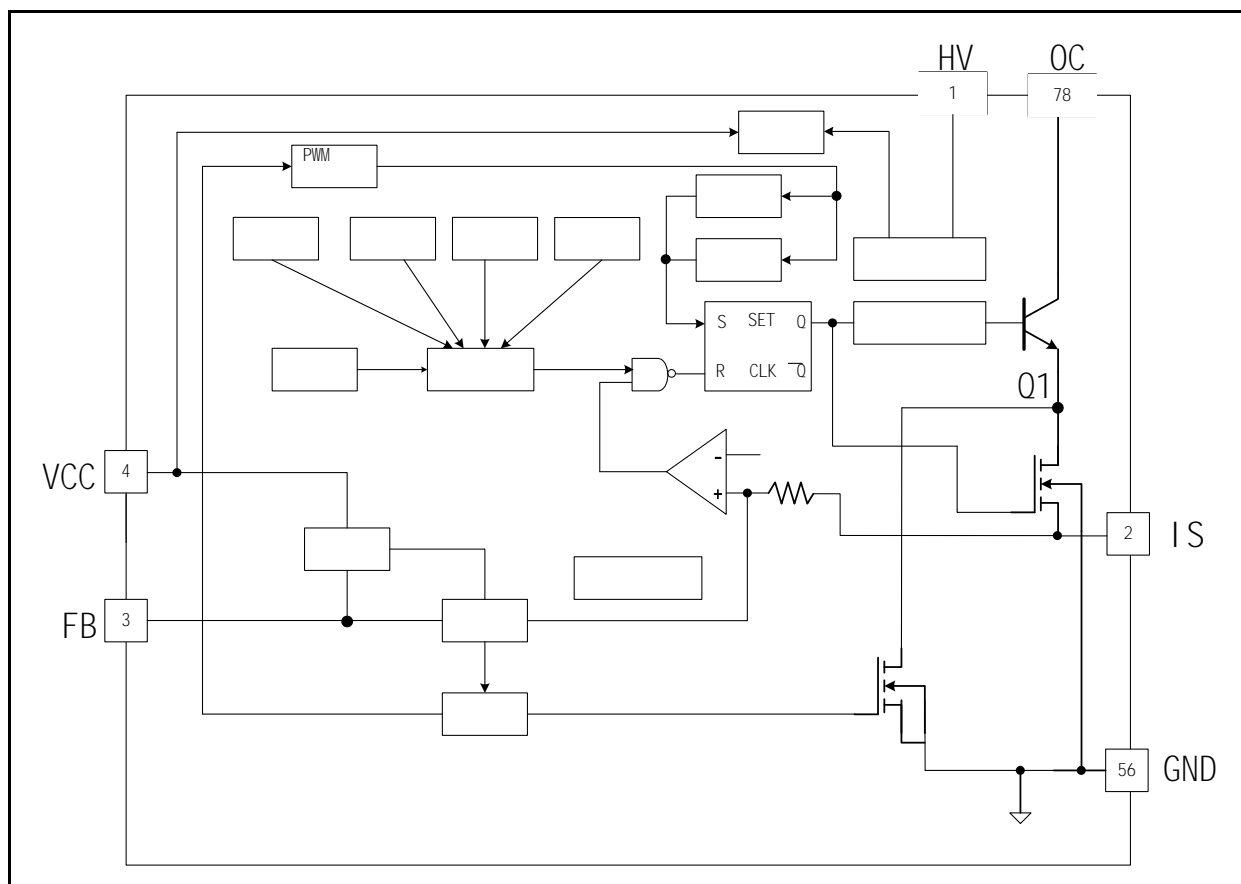


-
-
-
-
-

-
-
-

-
-
-







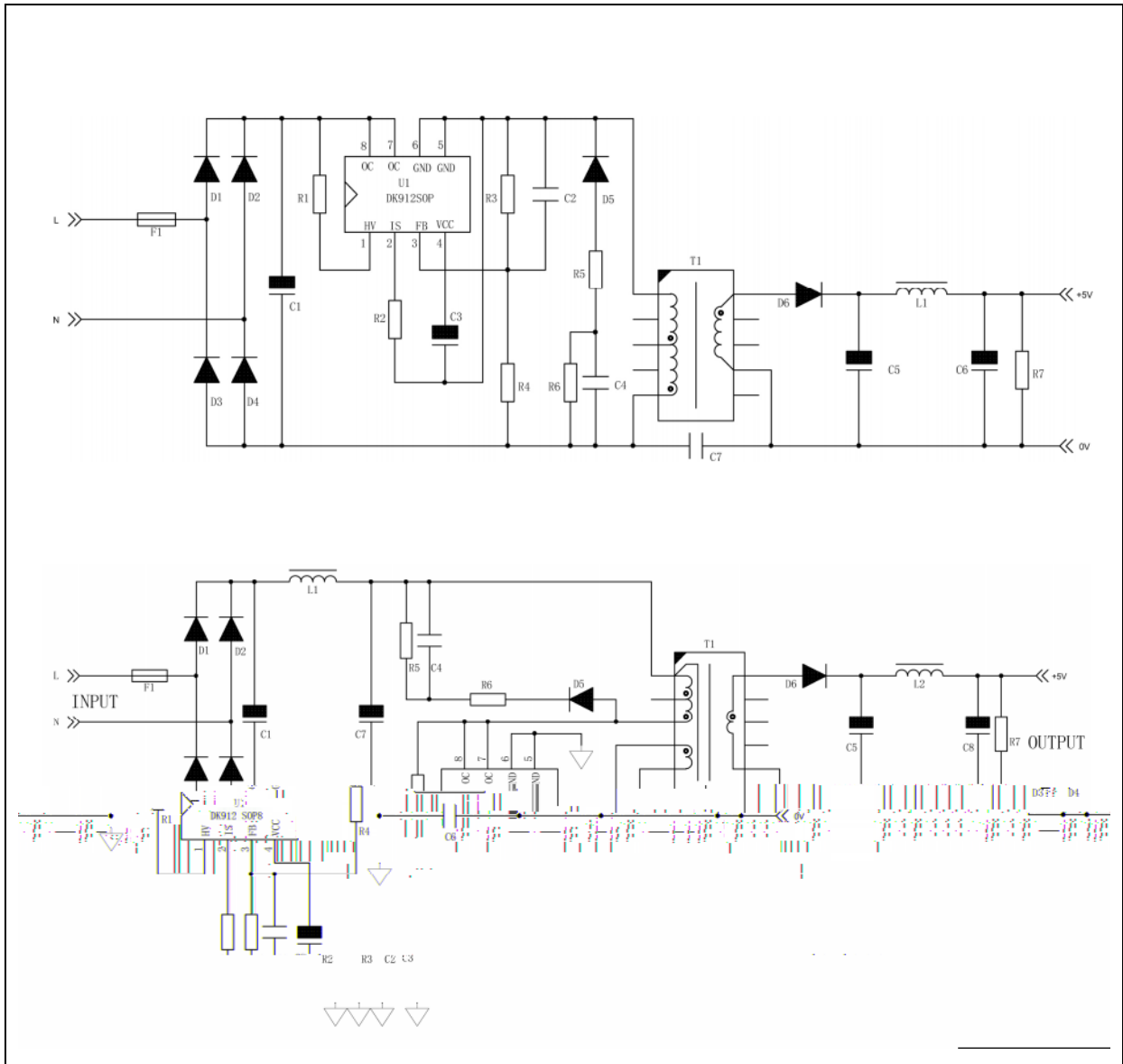
$$V_{OUT} \approx \frac{V_{OR} * R_2}{N * K_1} - V_{CE(sat)}$$

$$P_{Omax} \approx \frac{1}{4} * I_{pmax} * N * V_{out}$$

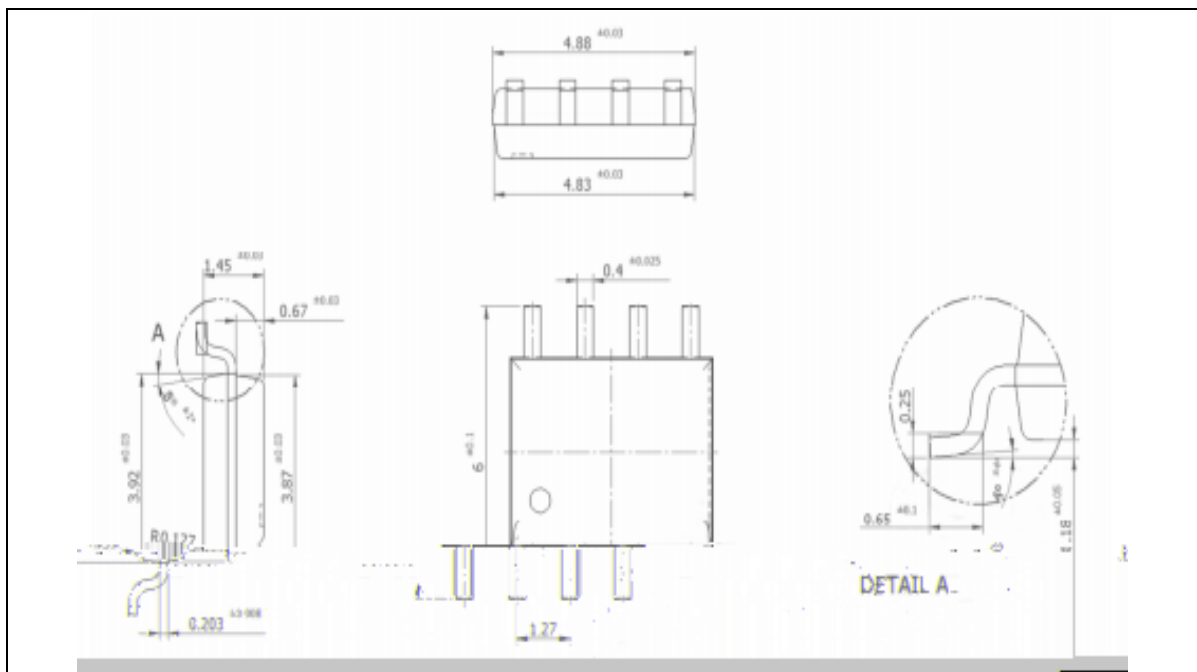
$$f_s \approx \frac{N * V_{out}}{2 * L_p * I_{pmax}}$$

$$L_p \geq \frac{N * V_{out}}{f_s \max * I_{pmax}}$$

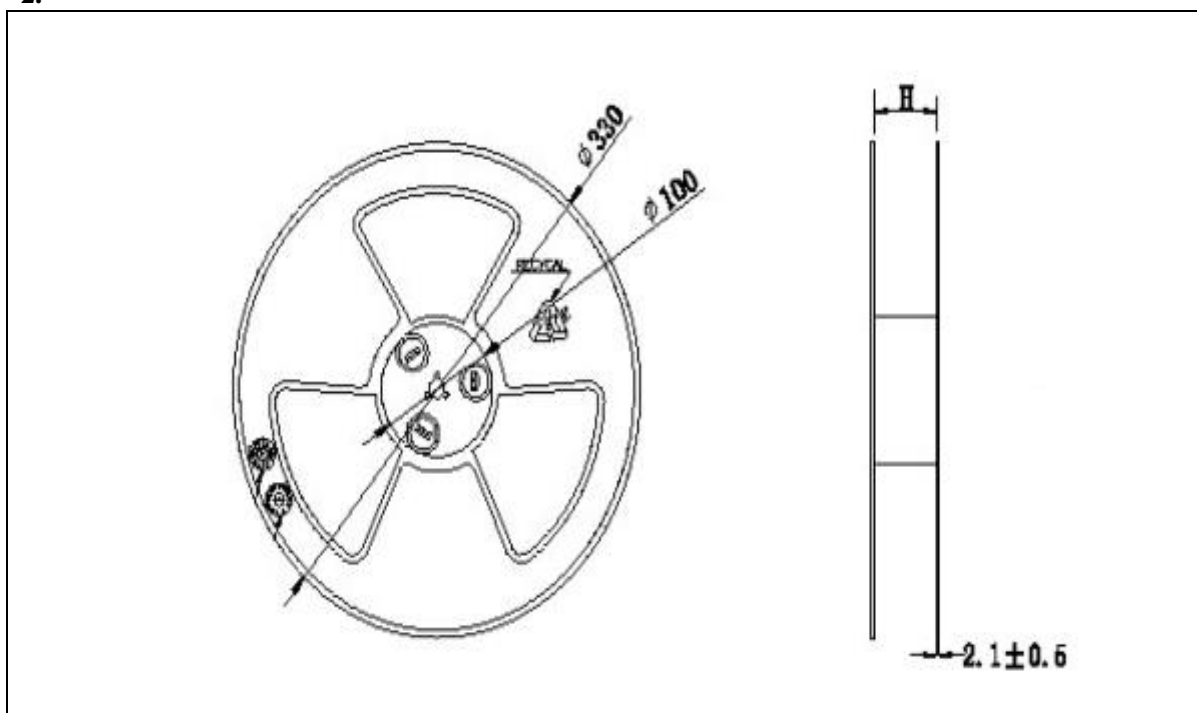
$$F_s \max = \frac{N * V_{out}}{2 * L_p * I_p \max}$$



1.



2.



▼
▼
▼
▼
▼
▼
▼