





W  
-W , a, acp kga a n agrmpq

-Lsk cp	RPV+1+. 55	-B rc	0. /2, /0, 03
-Gqqsc	.	-N ec	N ec 0 md 02

- , A, JGQR

-K rcpg l kc	W/	-RPV N, L,	
-Kmbc LM,	W/	-B r lsk cp	PB0. . 4. 00
		-B rc	0. 0. +. 4+. 1

-Grck	-B rc	- bgrgml	-Pc qml	-Pck piq
/	0. /2+/0+. 6	- Lc Tcpggm1	Kmpc bcr g cb amlrclr	
0				
1				
2				
3				

- Kmbgdw		-afcai		- nnpm c	
----------	--	--------	--	----------	--



QGAFS L R PSGVG LE R AFLMJMEW GLR PL RGML J AM, JRB

TRX 特锐祥

QF LXF L R PSGVG LE J ARPMLGA AM, JRB

www.trxc.net

Add sc  
Add sz 1 ↓ 91 ↓ 503  
Tel +86-816-61670387/+86-755-27892117  
Fax +86-816-6167076/+86-755-27893019



W  
-W , a, acp kga a n agrmpq

-Lsk cp	RPV+1+. 55	-B rc	0. /2, /0, 03
-Gqqsc	.	-N ec	N ec 1 md 02

- rr afcb qfccr

- Pcamelgxcb qncagdga rgmlq

-AMB	- ASQRMK P N, L,	-RPV N, L,	-KMB J LM,	- P K PIQ
/				
0				
1				
2				
3				
4				
5				
6				
7				
/.				
//				
/0				
/1				
/2				
/3				
/4				
/5				
/6				
/7				
0.				

W

/. . . T

/. . Fx

msr W A acp kga dgvc b a n agrmp ailm cbeckclr qncagdga rgmlq bcqapgnrgml8

W/ , a, acp kga a n agrmpq pc sqcb gl c carpga lb c carpm lga cosgnkclr lb amllcarcb  
l , a, k gl grf lmkgl m r ec lmr cvaccbgle /... , a lb grf lmkgl dpcosclaw lmr  
cvaccbgle /..Fx,

	W -W , a, acp kga a n agrmpq		
	-Lsk cp	RPV+1+. 55	-B rc    0. /2, /0, 03
	-Gqqsc	.	-N ec    N ec 2 md 02

/,

Dielectric	Capacitance					Dimensions mm						
	Capacitance pF			V AC	60s V AC	D	T	F	d	L	B	C



W  
-W ,a, acp kga a n agrmpq

-Lsk cp	RPV+1+. 55	-B rc	0. /2, /0, 03
-Gqqsc	.	-N ec	N ec 4 md 02

R J MD AMLR LRQ

- /, - L kc Bcqpagnrgml ++++++5+6
- 0, - bkgrrcb qgxc gqr ++++++7
- 1, - npmb sar qrpsarspc ++++++/.
- 2, - npmb sar k pigle ++++++/.
- 3, - ncpdmpk lac rcqr ++++++//+/4
- 4, - rckncp rspc af p arcpgqrgaq ++++++/4
- 5, - a gk rc rwnc ++++++/5
- 6, - q dcrw acprgdga rgml ++++++/6
- 7, - mvga lb f x pbmsq qs qr lacq amlrpm  
pcosgpckclrq ++++++/6
- /. , RPV - K lsd arspgle b rc ambc RPV ++++++/7
- //, - Qrmp ec amlbgrgmlq ++++++/7
- /0, - Npmb sar n ai egle ++++++0.
- /1, - plgle ++++++0/
- /2, - A n agr lac npcqqspc rcqr mnep rgml esgbc  
+++++0/
- /3, - Rcpkq lb bcdglgrgmlq pc rcb rm a n agrmp  
+++++00
- /4, - Acp kga a n agrmp amkkml qclqc ++++++01
- /5, - Pcdcpclac qr lb pb ++++++02



W  
-W , a, acp kga a n agrmpq

-Lsk cp	RPV+1+.55	-B rc	0. /2, /0, 03
-Gqqsc	.	-N ec	N ec 5 md 02

/, Fm rm mpbcp

Y1    F    222    M    064    X    280    A  
 Class   Dielectric   Capacitance   Tolerance   Dielectric diameter   Leads spacing   Leads length   Lead Type

-rwnc W

-Rckncp rspc amcddgagclr mp af p arcpgqrga W3N-W3S-W3T

- Lmkg1 a n agrw

W3N                      -A n agrw slgr ND											
-AMB	/./	/3/	00/	05/	11/	17/	25/	34/	46/	60/	/.0
Lmkg1 a n agrw	/..	/3.	00.	05.	11.	17.	25.	34.	46.	60.	/...
W3S                      -A n agrw slgr ND											
-AMB	25/	/.0	/30	000	050	110	170	250			
Lmkg1 a n agrw	25.	/...	/3..	00..	05..	11..	17..	25..			
W3T                      -A n agrw slgr ND											
-AMB	25/	/.0	/30	000	050	110	170	250			
Lmkg1 a n agrw	25.	/...	/3..	00..	05..	11..	17..	25..			

-A n agrw md m c cppmp

Ncpgqqg c cppmp	W3N	W3S	W3T
	/.	0.	0.

W  
-W , a, acp kga a n agrmpq

-Lsk cp

RPV+1+. 55

-B rc

0. /2, /0, 03

-Gqqsc

.

-N ec

N ec 6 md 02

-Kcbgsk bg krcp

W3N				kk				/,.			
/./	/3/	00/	05/	11/	17/	25/	34/	46/	60/	/. 0	
4, 3	4, 3	4, 3	4, 3	5, 3	6, 3	6, 3	7, 3	7, 3	/. ,	//, ,	
W3S				kk				/,.			
25/	/ . 0	/30	000	050	110	170	250				
4, 3	5, 3	7, .	//, ,	/0, ,	/0, ,	/1, ,	/3, ,				
W3T				kk				/,.			
25/	/ . 0	/30	000	050	110	170	250				
4, 3	4, 3	5, 3	6, 3	7, .	/. ,	//, ,	//, ,				

-Ngraf . , 6

W/ W0

/ . , . kk 5, 3kk

W/

/ . , . kk W0

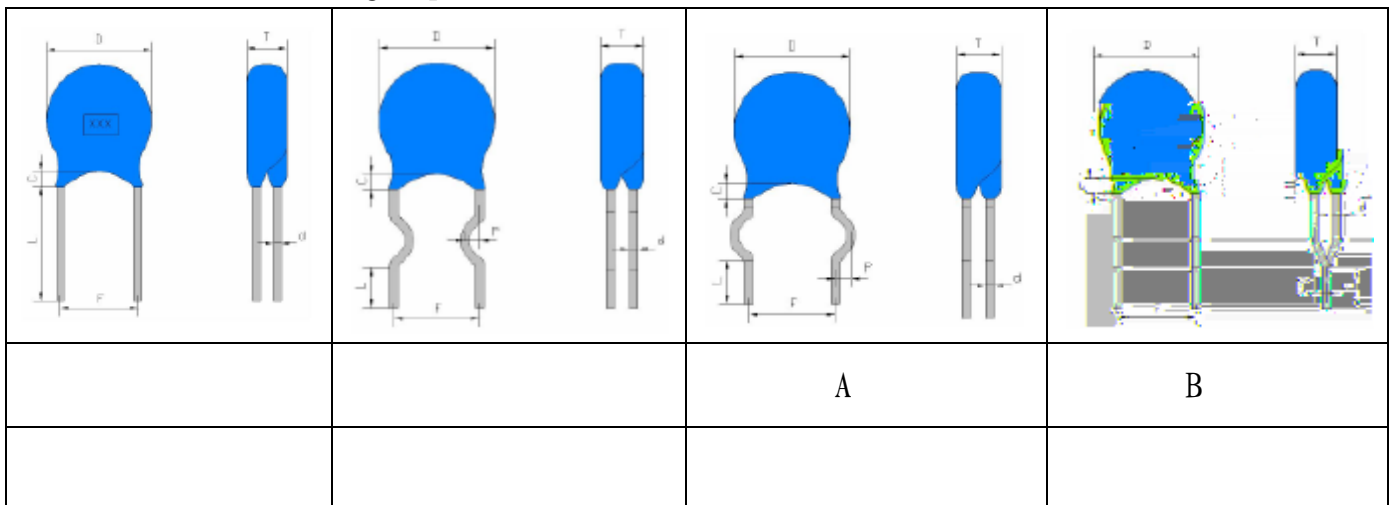
5, 3kk

-Dccr Jmle

. J 06, .

06. 06, . . 06 0, 6

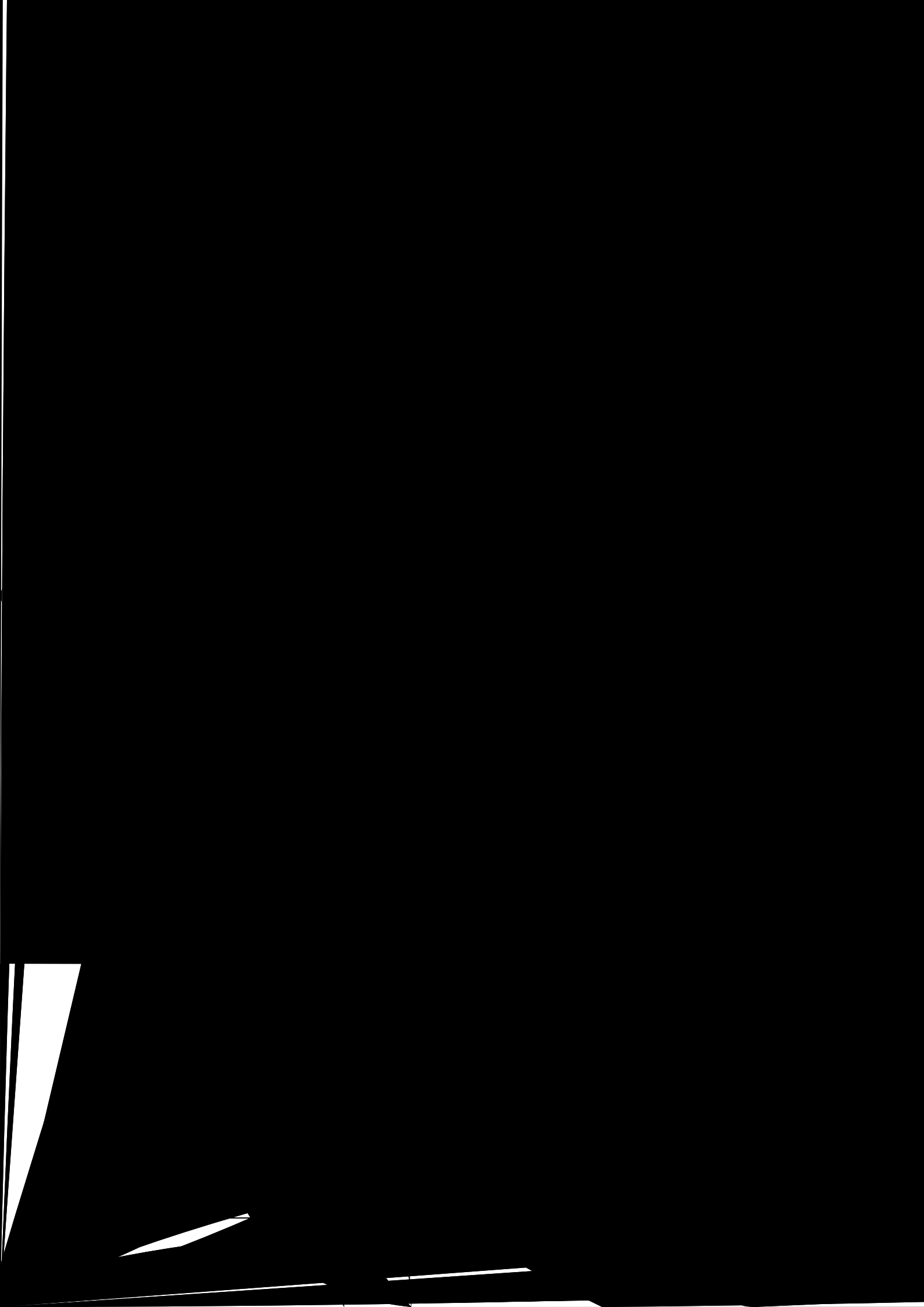
-Ng1 qf nc



- T pgmsq ambc kclrgmlcb m c dmp rfc amkn lw qr lb pb nn ga rgml







	W -W , a, acp kga a n agrmpq		
	-Lsk cp	RPV+1+. 55	-B rc
	-Gqqsc	.	-N ec
0. /2, /0, 03			
N ec // md 02			

3, - Ncpdmpk lac rcqr

LM	Grck	
----	------	--

	W -W , a, acp kga a n agrmpq			
	-Lsk cp	RPV+1+. 55	-B rc	0. /2, /0, 03
	-Gqqsc	.	-N ec	N ec /0 md 02

Am1rglscb

LM	Grck	Ncpdmpk lac	
----	------	-------------	--

Amlrglscb

LM	Grck	Ncpdmpk lac		kc qspgle kcrfmb
/0	2, 4 P ngb af lec md rckncp rspc	gqs cv kgl rgml	Lm gqg c b k ec	snncp a rcempw rckncp rspc )/03 1 m cp a rcempw rckncp rspc +03 1 lsk cp md awa cq 83 bsp rgml md cvnmqspc r rfc rckncp rspc gkgrq 1.kglsrcq 1.
		m r ec npmm	aampbcp 2, 0, / 2, 0, /	A n agrmp qf c n acb r 03 1 dmp 02 0f cdmpc glgrg kc qspckclrq, 03 1 02 0
		A n agr lac	W3N8 /. W3S8 0. W3T8 0.	A n agrmp qf c n acb r 03 1 dmp 02 0f cdmpc glgrg kc qspckclrq, 03 1 02 0
		bgqqgn rgml d armp	W3N8 0, 3 W3S8 0, 3 W3T8 0, 3	A n agrmp qf c n acb r 03 1 dmp 02 0f cdmpc glgrg kc qspckclrq, 03 1 02 0
		Glqs rgml pcqqr lac	aampbcp 2, 0, 3	A n agrmp qf c n acb r 03 1 dmp 02 0f cdmpc glgrg kc qspckclrq, 03 1 02 0
/1	2, 5 Tg p rgml	A n agrmp qf lmr gqg c b k ec		Dpcosclaw p leq8 /. 33 /.Fx q gle8 ., 53kk Rfc rmr bsp rgml qf c 4 fmspq, 4 bsp rgml md cvnmqspc r V W X 0fmspq V W X 0
/2	2, /0 B kn fc r qrc bw qr rc	gqs cv kgl rgm l	Lm gqg c b k ec	rcqr rckncp rspc8 2. 0 fsgbgrw8 73 1 PF bsp rgml8 3..) 02--+. fmspq m r ec8 3..T A Sp dmp mlc f d md rfc q kn cq, Sp 3..T a n agrmp qf c n acb r 03 1 dmp 02 0fmspq cdmpc kc qspckclrq, 03 1 02 0
		A n agr la c	A <sub>v</sub> +A <sub>-</sub> -A <sub>-</sub> 8 /3	rcqr rckncp rspc8 2. 0 fsgbgrw8 73 1 PF bsp rgml8 3..) 02--+. fmspq m r ec8 3..T A Sp dmp mlc f d md rfc q kn cq, Sp 3..T a n agrmp qf c n acb r 03 1 dmp 02 0fmspq cdmpc kc qspckclrq, 03 1 02 0
		m r ec npmm	aampbcp 2, 0, /	rcqr rckncp rspc8 2. 0 fsgbgrw8 73 1 PF bsp rgml8 3..) 02--+. fmspq m r ec8 3..T A Sp dmp mlc f d md rfc q kn cq, Sp 3..T a n agrmp qf c n acb r 03 1 dmp 02 0fmspq cdmpc kc qspckclrq, 03 1 02 0
		Glqs rg ml pcqqr l ac	1... K P <sub>v</sub> +P <sub>-</sub> -P <sub>-</sub> <3.	rcqr rckncp rspc8 2. 0 fsgbgrw8 73 1 PF bsp rgml8 3..) 02--+. fmspq m r ec8 3..T A Sp dmp mlc f d md rfc q kn cq, Sp 3..T a n agrmp qf c n acb r 03 1 dmp 02 0fmspq cdmpc kc qspckclrq, 03 1 02 0



W  
-W ,a, acp kga a n agrmpq

-Lsk cp

RPV+1+. 55

-B rc

0. /2, /0, 03

-Gqqsc

.

-N ec

N ec /2 md 02

Amlrglscb

LM	Grck	Ncpdmpk lac	kc qspgle kcrfmb
/3	2, /1 Gkns qc m r ec	<p>Lm ncpk lclr pc ibm l mp d qfm cp bspgle rfc rcqr ncpgmb,</p>	<p>Nc i gkns qc m r ec8 6, . IT Gkns qcq bgqr lac 8 /. qcamlbq Gkns qcq rgkcq8 02</p>
		<p>Gd lw rfpcc qsaacqqg c gkns qcq pc qfm l w rfc mqag mqamnc kmlgrmp rm f cf b cdmprglbga rgle rf rlmqc d+fc gle pc ibm lq mp d qfm cpq f c r icl n ac gl rfc a n agrmp rfcl lm dsprfcp gkns qcq qf c nn gcb lb rfc a n agrmp qf camslrcb qamlmpkgle ,</p>	
		<p>Gd 02 gkns qcq f c ccl nn gcb rm rfc a n agrmp lb l mp kmpe md rfck pc md cdmpk glbga rgle rf r lm qc d+fc gle pc ibm lq mp d qfm cpq f c maaspceb rfcl rfc a n agrmp qf c amslrcb q amlmpkgle, 02 1</p>	
<p>Gd cqq rf l rfpcc gkns qcq pcmdrfepcosgpcb cdmprf cl rfc a n agrmp qf c amslrcb q lmlamlmpkgle grck,</p>			



W  
-W , a, acp kga a n agrmpq

-Lsk cp

RPV+1+. 55

-B rc

0. /2, /0, 03

-Gqqsc

.

-N ec

N ec /3 md 02

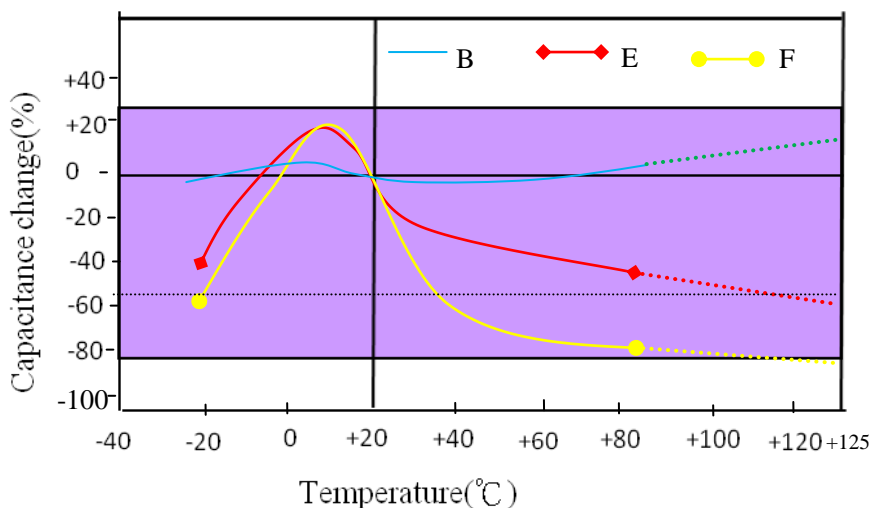
Amlrglscb

LM	Grck	Ncpdmpk lac		kc qspgle kcrfmb		
/4	2, /2 lbsp lac	gqs cv kgl rgm 1	Lm gqg cb k ec	Rcqr rckncp rspec8 /03 1 Bsp rgml8 (... )02+. fmspq rcqr m r ec8 63. T A /, 5SP cvacnr rf r mlac c cpw fmsp rfc m r ec qf c glapc qcb rm /... p, k, q, dmp ., /q, 63. T A SP /...T ., /q af md rfcqc m r ec qf c nn gcb Rm c af a n agrmp glbg gbs w rfpmsef pcqqrmp md 25 3 , 25 3 A n agrmp qf c n acb r 03 1 dmp 02 0fmspq cdmpc kc qspckclrq, 03 1 02 0		
		A n agr lac c	A <sub>v</sub> +A <sub>v</sub> -A <sub>v</sub> 8 0.			
		m r ec npmm	aampbcp 2, 0, /			
		Glqs rgml pcqqr lac	1...K P <sub>v</sub> +P <sub>v</sub> -P <sub>v</sub> <3.			
/5	2, /3 Af pec lb Bgqaf pec	A n agr lac	A <sub>v</sub> +A <sub>v</sub> -A <sub>v</sub> 8 0.	Af pec m r ec8 5. 5T A 0S <sub>p</sub> lsk cp md awa cq8 /.... rfc p rc md nnpmvk rc w8 mlc mncp rgml ncp qcamlb, af awa c qf amlqqr md af pegle lb bgqaf pegle rfc a n agrmp,  af a n agrmp qf c glbg gbs w af pecb w nn wgle rfc rcqr m r ec rfpmsef pcqqrmp grf rfc sc  $R = \frac{220 \cdot 10^{-6}}{C_R} \Omega$ A n agrmp qf c n acb r 03 1 dmp 02 0fmspq cdmpc kc qspckclrq, 03 1 02 0		
		Glqs rgml pcqqr lac	1...K P <sub>v</sub> +P <sub>v</sub> -P <sub>v</sub> <3.			
/6	2, /5 N qqg c d kk g grw	a rcempw Rfc splgle rgkc md lw qncagkcl qf lmr cvaccb rfc rgkc qncagdgeb,		a rcempw		
				m skc p lecq	d kc rgkc	K vgksk splgle rgkc
		splgle bpmn crq mp e m gle n prq d gle bm l qf lmr gelgrc rfc rgqqsc n ncp,		T: 03. kk <sup>1</sup> 3Q 1. Q		
				03. : T 3.. kk <sup>1</sup> / . Q 1. Q		
				3. : T /53. kk <sup>1</sup> 0. Q 1. Q		
		T</53. kk <sup>1</sup> 1. Q 1. Q				

Amlrglscb

LM	Grck	Ncpdmpk lac	kc qspgle kcrfmb
/7	2,/7 Amknmlclr qm clr Pcqqqr la	Lm gqg c b k ec, Ncpdmpk lac aampbcp 2,0,/2,0,3  2,0,/ 2,0,3	Qm clr rm c sqcb8 1. 3 gqmpmnw amfm 1b 5. 3 d svglm amknms1b 1. 3 5. 3 Qm clr rckncp rspc8 01 3 Rfc a n agrmp qf c gkkcpecb gl qm clr dmp 3 .,3qcamlbq, 3 .,3 Pcam cpw rgkc8 6fmspq
0.	2,0. Qm clr pcqqqr la c md rfc k pigle	Rfc k pigle qf c ceg c	Qm clr rm c sqcb8 1. 3 gqmpmnw amfm 1b 5. 3 d svglm amknms1b 1. 3 5. 3 Qm clr rckncp rspc8 01 3 Rfc a n agrmp qf c gkkcpecb gl qm clr dmp 3 .,3qcamlbq 1b grq k piqf c gncb grf n cbeer dmp /.rgkcq, 3 .,3 /.

4,



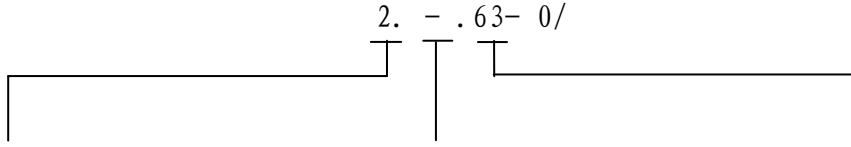


W  
-W , a, acp kga a n agrmpq

-Lsk cp	RPV+1+. 55	-B rc	0. /2, /0, 03
-Gqqsc	.	-N ec	N ec /5 md 02

5, A gk rga a rcompw

aampbgle rm G QR LB PB PQ /76  
PQ /76



A rcompw rckncp rspc m cp gkgr Snnep a rcompw rckncp rspc Qrc bw qr rc b kn fc r rcqr rgkc  
gl b wq

/qr Q R

01b Q R

1pb Q R

/qr Q R Kglgksk k gclr rckncp rspc md mncp rgml Am b rcqr

01b Q R K vgksk k gclr rckncp rspc md mncp rgml Bpw fc r rcqr

1pb Q R Lsk cp md b wq B kn fc r qrc bw qr rc rcqr

A rcompw v kn cq aampbgle rm G A 4..46+/ G A 4..46+/ 03-. 63-. 2	
03-. 63-0/	
2. -. 63-0/	
33-/03-0/	
33-/03-34	

Dgpqr qcr R m bgegrq belmrgle rfc kglgksk k gclr rckncp rspc md mncp rgml Am b rcqr	
43	+43
33	+33
2.	+2.
03	+03
/.	+/.
..	.
. 3	) 3






Qcamlb qcr Rfpcc bgegrq belmrgle rfc k vgksk k gclr rckncp rspc md mncp rgml Bpw fc r rcqr	
/33	) /33
/03	) /03
//.	) //.
. 63	) 63
. 6.	) 6.
. 53	) 53
. 5.	) 5.

Rfgpb qcr R m bgegrq belmrgle rfc lsk cp md b wq B kn fc r qrc bw qr rc rcqr	
34	34 b wq
0/	0/ b wq
/.	/. b wq
. 2	2 b wq
..	Rfc amknmlclr gq lmr pcosgpcb rm c cvnmqcb rm b kn fc r,



-Lsk cp	RPV+1+. 55	-B rc	0. /2, /0, 03
-Gqqsc	.	-N ec	N ec /6 md 02

6,

LM	AMSLRPW	QR LB PB LM,	AJ QQ RWN U, T A, A N, D, A	DGJ LM,	K PI
/	E PK LW SPMN	TB BGL L 4.162+/2 TB .343 Rcg /+ / 8 0..4+. 2 L4.162+/280..3+. 6 G A 4.162+/2 cb, 1	W/ RW A 2..T 03-/03-0/A	2..1/511	 
0	SQ AQ	SJ ASJ SJ 4.162+/2 0. /. AQ 4.162+/2 8. 7	W/ RW A2..-3..T 03-/03-0/	1/35/7	
1	AFGL	AOA G A 4.162+/280.. 3	W/ RW A3..T 03-/03-0/	AOA/2..//. 5210	
2	IMP	IA IA4.162+/2 0. /3+. 7 IA 4.162+/ 0. /3+. 7	W/ RW A3..T 03-/03-0/	FS. 1. 12+/5.. /	

7, Pcosgpckclrq dmp amlaclrp rgml gkgrq dmp acpr gl f x pbmsq qs qr lacq

PmFQ0,. 0. // -43- S  
f mecl  
P AF Lm/7. 5-0.. 4



Qs qr lacq	amlaclrp rgml slgr8 nnk
A bkgsk lb a bkgsk amknmslbq	:/..
Jc b lb c b amknmslbq	:/...
Kcpaspw lb kcpaspw amknmslbq	:/...
Fcv clr afpmkgsk amknmslbq	:/...
Nm s pmkg1 rcb gnfclw q , N Q	:/...
Nm s pmkg1 rcb bgnfclw crfcpg , N B Q	:/...
Ab)N ) Fe ) Ap <sup>4</sup> n aigle k rcpq q ) ) )	:/..
A	:7..
p	:7..
A ) p )	:/3..
QTFA /33grck P AF /33	:/...



W  
-W , a, acp kga a n agrmpq

-Lsk cp	RPV+1+. 55	-B rc	0. /2, /0, 03
-Gqqsc	.	-N ec	N ec /7 md 02

/. ,K lsd arspgle b rc ambcq

RPV

ambc md wc p				ambc md kmlrf		ambc md b w			
wc p	ambc	wc p	ambc	kmlrf	ambc	b w	ambc	b w	ambc
↓	↓	0. 0.	K	/	./	/	./	/4	/4
↓	↓	0. 0/	L	0	. 0	0	. 0	/5	/5
0. ./		0. 00	N	1	. 1	1	. 1	/6	/6
0. //		0. 01	P	2	. 2	2	. 2	/7	/7
0. /0	A	0. 02	Q	3	. 3	3	. 3	0.	0.
0. /1	B	0. 03	R	4	. 4	4	. 4	0/	0/
0. /2		0. 04	S	5	. 5	5	. 5	00	00
0. /3	D	0. 05	T	6	. 6	6	. 6	01	01
0. /4	F	0. 06	U	7	. 7	7	. 7	02	02
0. /5	H	0. 07	V	/.	/.	/.	/.	03	03
0. /6	I	↓	↓	//	//	//	//	04	04
0. /7	J	↓	↓	/0	/0	/0	/0	05	05
						/1	/1	06	06
						/2	/2	07	07
						/3	/3	1.	1.
								1/	1/

Lmrc8 rfc wc p ambc penc rq mlac c cpw 0. wc pq dmp mle+ cci ncpqmb,  
0.

//, Qrmp ec amlbgrgmlq

, Rfc a n agrmpq pc ksqr lmr qrmpeb gl amppmqg c rkmqnfcp fcpc qs nfgbc mp  
af mpgbc e q agb i g mp q r pc npcqlr, vnmqspe md rfc amknmlclrq rm kmgqrspc  
qfms b c mgbecb,

, A n agrmpq a l c qrmpeb dmp qfmpr ncpqmbq r lw rckncp rspc grfgl rfc clrgpc  
p lec md a rcempw rckncp rspc,

(1), 1

Dmp mle qrmp ec ncpqmbq fm c cp rfc dm m gle amlbgrgmlq qfms b c m qcp cb8

Qrmp ec rckncp rspc8+03 rm ) 2.

+03 rm ) 2.

K vgsk pc rg c fskgbgrw 6. lm bc m cb ml rfc a n agrmp,

6.

K vgsk bsp rgml /0kmlrfq,

/0

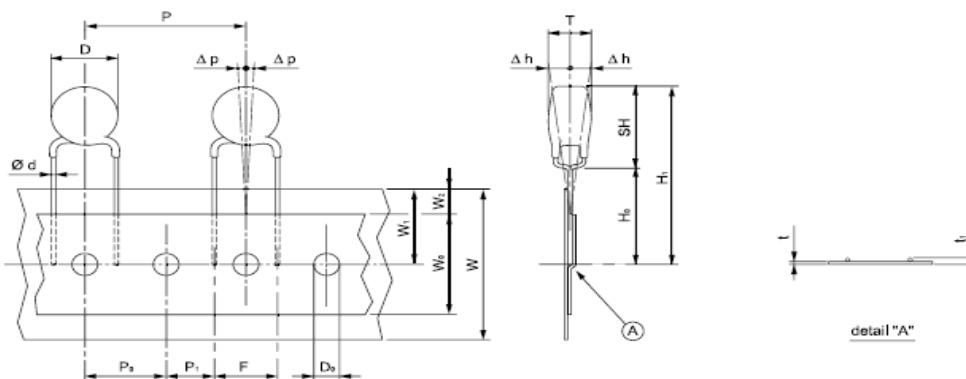
**/0, N aigle**

8 s i

BGK LQGML	Jc b clerf	e
B: 6kk	/ . kk	/... NAQ
	</ . kk	3.. NAQ
B 6kk	3.. NAQ	

**8 R N /...NAQ- MV**

A n agrmpq ml r nc rwnc ngraf 5, 3kk -/. kk



N p kcrep	Qwk m ↙	R ngle Qncagdg r gmlq slgr8 kk		
		Ngraf 5, 3	Ngraf / .	Rm cp lac
c b bg kcrep	b	. , 33	. , 33	. , /
ngraf cr ccl a n agrmpq	n	/0, 5	03, 2	/, .
dccb+fm c ngraf	N <sub>1</sub>	/0, 5	/0, 5	. , 1
dccb+fm c aclrpe rm c b aclrpe	N <sub>1</sub>	6, 73	5, 40	. , 5
c b qn aigle	D	5, 3	/ . , .	/, .
amknmlclr gelkclr	f	.	.	1, .
bc g rgml mle r nc cdr mp pgefr	n	.	.	/, 1
r nc gbrf		/6, .	/6, .	. , 3
fm b+bm l r nc gbrf	U <sub>1</sub>	/0, .	/0, .	+
fm c nmqrgml	U <sub>1</sub>	7, .	7, .	. , 3
fm b+bm l r nc nmqrgml	U <sub>0</sub>	1, .	1, .	+
qc rcb fcgefr rm r nc aclrpe	F <sub>1</sub>	0, .	0, .	/, .
k vgsk amknmlclr fcgefr	F <sub>1</sub>	15, .	15, .	+
dccb+fm c bg kcrep	B <sub>1</sub>	2, .	2, .	. , 0
rmr r nc rfgailcqq	r	. , 3.	. , 3.	. , 0
k vgsk rfgailcqq md r nc lb gpcq	r <sub>1</sub>	/, .	/, .	+

**/1, A srgmlq lb plgleq**

, rrcrlrgml gq bp l rm rfc d ar rf r pncnrgmld rfc m r ec npmmd rcqr w rfc sqcp k w b k ec rfc a n agrmp,

, Bm lmr n ac rfc a n agrmp NA m pb fmqc fm c qn ac bgddecq dpmk rfc qncagdgcb c b qn ac, NA NA NA

, mgb lw amknpcqqg c rclqg c mp d cvsp qrpccq,  
, N c qc amlqs r sq dgpqr gd wms gqf rm ck cb rfc a n agrmp gl n qrga pcqglq,

, Bm lmr km c rfc a n agrmp drcp gr f q ccl qm bcpcb rm rfc m pb, NA

, Bm lmr ngai sn rfc NA m pb w rfc qm bcpcb a n agrmp, NA

**/2, Tm r ec npmmd rcqr esgbc**

, Ampcar Kcrfmb



**Mncp rc cvn g18**

, Qcr sn rcqr m r ec aspplr lb rgkc gl fgef m r ec glqrpskclr,

, Rfc r m nglq md a n agrmp pc lgnncb gl dgvrspc md fgef m r ec glqrpskclr,

(1), Eg c rfc qr pr srrml q gefr npcqq lb rfc a n agrmp af lecb lb rcqrcb fgef m r ec glqrpskclr qrmn msrnsr fcl rfc rgkc ppg cb,

, ppmp Kcrfmb



**Mncp rc cvn g18**

A n agrmp q rcqr grf fgef m r ec rcqr npm c dmp c carpgdcpsq rmsaf rfc r m nglq md a n agrmp,





W  
-W , a, acp kga a n agrmpq

-Lsk cp	RPV+1+. 55	-B rc	0. /2, /0, 03
-Gqqsc	.	-N ec	N ec 01 md 02

**/4, eclcp ilm cbec dmp acp kga A n agrmpq**

, dmp a n agr lac lb Bgqqgn rgml d armp r l 8

, Rfc a n agrmp gq rcqrcb drcp ca kncb grf rfc rcqr rmm a l..r r ic rfc a n agrmp...  
q lmskclml dmp rcqr grf f lb, A n agr lac lb bgqqgn rgml d armp pc lmr cv ar ca sqc  
md rckncp rspc gl f lb lb rcqr pcqs r gq lmr pgefr,

, Rfc a n agrmp...q a n agr lac lb Bgqqgn rgml d armp drcp m r ec rcqrcb k w lmr  
rcqr cdmpc rfc a n agrmp gq qrmpcb dmp 02 fmspq drcp m r ec rcqr, rfc a n agrmp ksqr  
c bgqaf pec cr ccl c bq cdmpc rcqr mp c qc m r ec md pck glbcp rr glr rcqr  
nn p rsq, 02

, dmp Tm r ec npmmd8

Af pec rm a n agrmp drcp A mp BA Tm r ec sc rgkc lb asppclr pc qcreb gl rcqr  
nn p rsq a knge a n agrmp...q c b grf a kn dmp rcqr nn p rsq msrnsr, Qn ac cr ccl  
a knq dmp rcqr nn p rsq msrnsr ksqr kccr qr lb pb mp c qc d qfm cp g c f nncldb  
cr ccl r m c bq gd qn ac gq rmm qk , A n agrmp...q amldgesp rgml q c bcqrpmweb gd  
epc r asppclr g c f nncldb gl a n agrmp dmp kmkclr,



W  
-W , a, acp kga a n agrmpq

-Lsk cp	RPV+1+. 55	-B rc	0. /2, /0, 03
-Gqqsc	.	-N ec	N ec 02 md 02

**/5, Lmpk rg c pcdcpclacq**

, G A 4.162+/ 0..6 Dgvcb a n agrmpq dmp sqc gl c carpm lga cosgnkclr N pr /8 Eclcpga qncagdga rgml  
/

, G A 4.162+/2 1...pb 0..3 Dgvcb a n agrmpq dmp sqc gl c carpm lga cosgnkclr N pr /2 Qcargml  
qncagdga rgml Dgvcb a n agrmpq dmp c carpmk elerga glrcpdcplac qsnnpccqgml lb amllcargml rm rfc  
qsnn w k glq

/2

(1), E -R 3/47, 3+/775 GBR G A 4.473+0+08/77/ Dgpc f x pb rcqrgle dmp c carpm lga npmbsarq N pr 08 Rcqr  
kcrfmbq Qcargml 08 Lccb c+d kc rcqr

0 0

(2), E -R 0471+0../ GBR G A 4.162+/ /777 Dgvcb a n agrmpq dmp sqc gl c carpm lga cosgnkclr+  
N pr /8 Eclcpga qncagdga rgml

/

(3), E -R 0606, /+0..1 GBR GQM 0637+/8/777 Q kn gle npmacbspcq dmp glqncargml w rrpq srcq+  
N pr /8 Q kn gle qafckcq glbcvcb w aacnr lac os grw gkgr OJ dmp mr+ mr glqncargml

/ OJ

(4), E -R 025+/773 GBR G A 418/741 Npcdcpceb lsk cp qcpgcq dmp pcqqrmpq lb a n agrmpq

(5), E -R 047+/772 GBR G A 408/770 K pigle ambcq dmp pcqqrmpq lb a n agrmpq

(6), QH-R //141+0..4 Pcosgpckclr q dmp amlaclr rgml gkgrq dmp acpr gl f x pbmsq qs qr lacq gl  
c carpm lga gldmpk rgml npmbsarq

(7), QH-R //142+0..4 K pigle dmp amlrpm md nm srgml a sqcb w c carpm lga gldmpk rgml npmbsarq

, QH-R //143+0..4 Rcqrgle kcrfmbq dmp f x pbmsq qs qr lacq gl c carpm lga gldmpk rgml npmbsarq

, 0. // -43- S PmFQ0,. Rfc Pcqrpgargml md rfc sqc md acpr gl F x pbmsq qs qr lacq gl carpga  
lb carpm lga osgnkclr

, 0..0-74- A U U qrc carpga lb carpm lga osgnkclr

, 72-40- A 0..3-0.- A spmnc N p g kclr lb Amslag Bgpcarg c72-40- A md 0. Bcack cp /772 ml  
N ai egle lb n ai egle qrc

/772 /0 0.

72-40- A

, Lm/7.5-0..4 P AF Pcegqrp rgml s rgml srfmpgx rgml lb Pcqrpgargml md Afckga q /3/grck