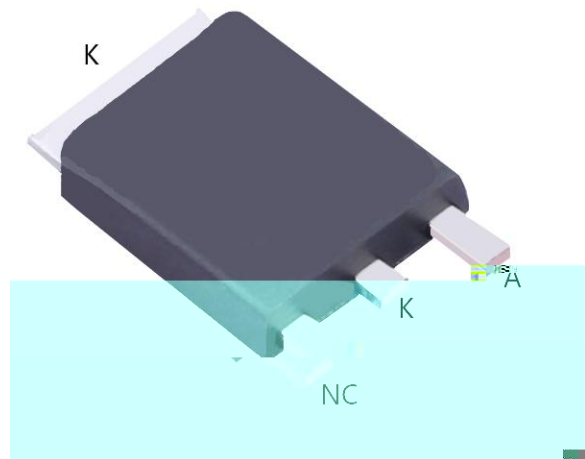


DK5V85R15SL
 A K
 PN 85V
 NMOS

- USB
-
- LED

DK5V85R15SL TO-252

- PSR SSR
- V_F
-
- 85V 15mΩ NMOS
- CCM DCM&QR
-
-
- EMC
-



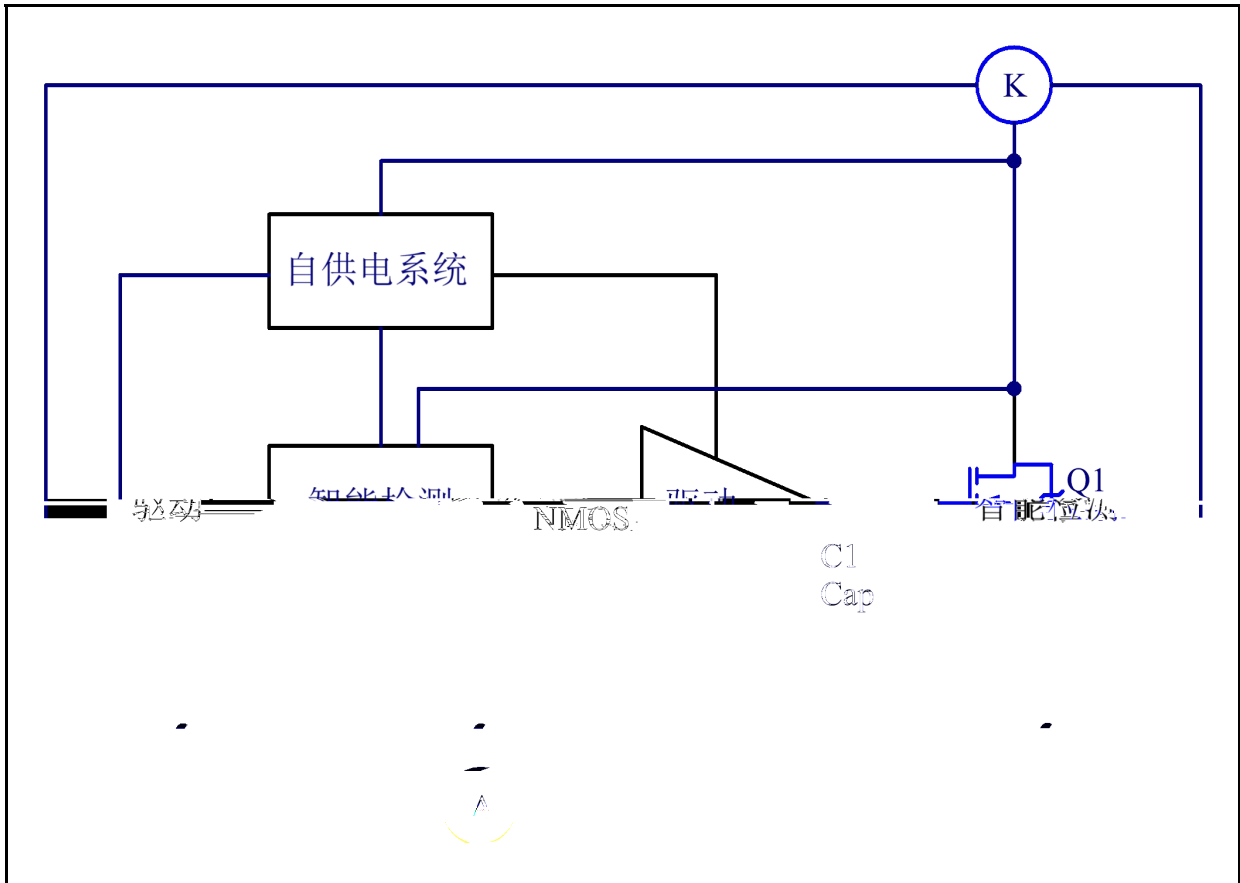
1	NC	
2	K	
3	A	

DK5V85R15SL	85-265VAC	12V, 3.1A
-------------	-----------	-----------

45

, DK5V85R15SL

3.1A.



NMOS	$V_{(BR)DSS}$	85			V
NMOS	I_{DSCDC}			40	A
NMOS	I_{DSPDC}			55	A
TO252	P_{DMAX}		110		W
	$R\theta_{JA}$		90		/W
	$R\theta_{JC}$		1.3		/W
	T_{STG}	-55		155	
	T_J	-40		150	
			260/5S		
ESD(HBM)			± 4000		V
ESD(MM)			± 350		V

$T_A = 25$

①	V_{CC_ON}			5.6		V
①	V_{CC_OFF}			3.3		V
①	V_{OVP}			8.3		V
&						
NMOS	V_{ON}			-200		mV
NMOS	T_{DON}				150	ns
NMOS	T_{DOFF}				50	ns
NMOS	T_{ON_MAX}			20		μs
②	T_D			400		ns
	F_{S_MAX}				150	KHz
NMOS						
NMOS	R_{DS_ON}				15	m Ω

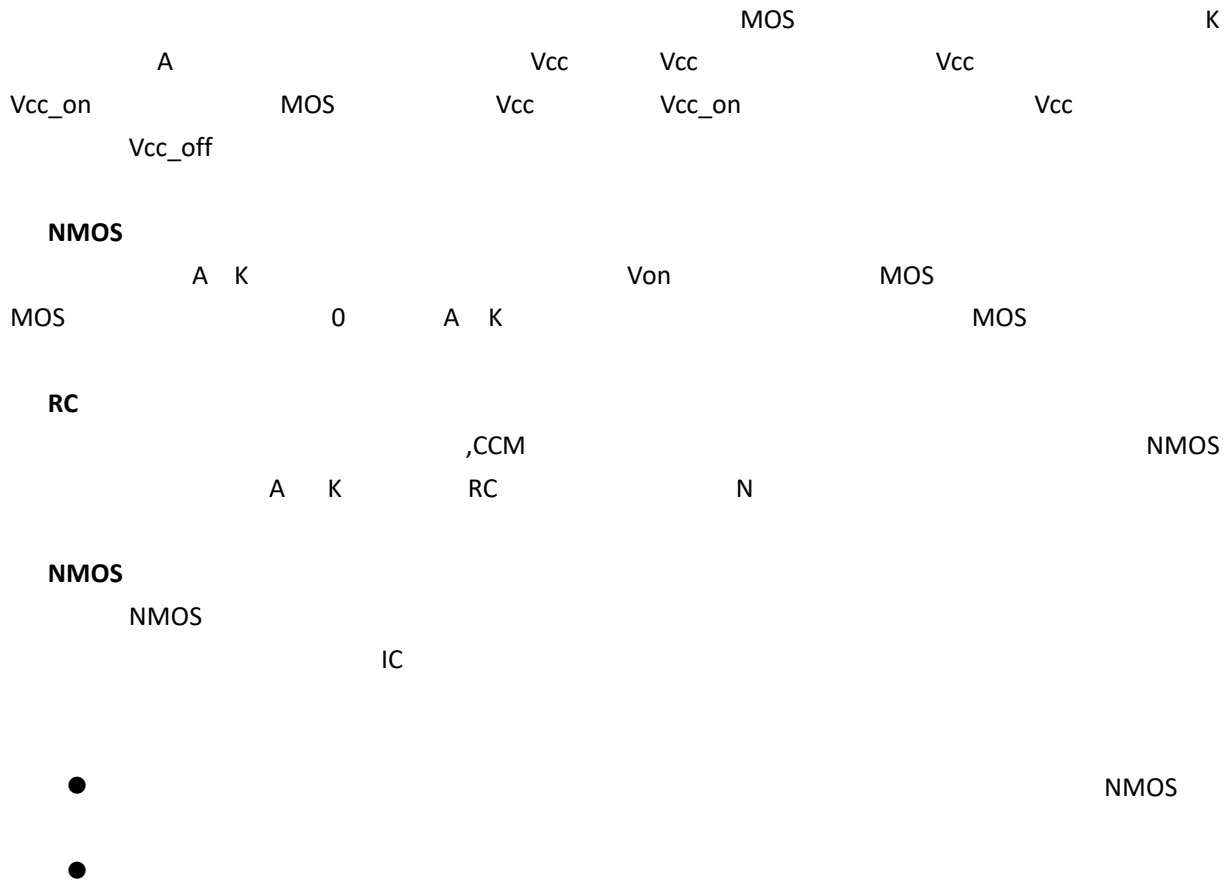
①

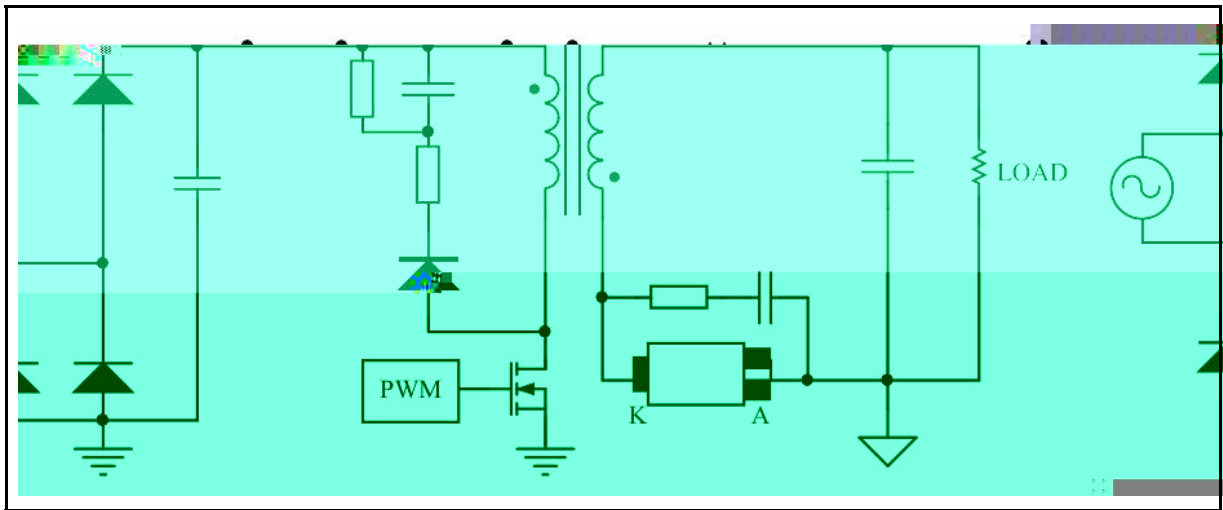
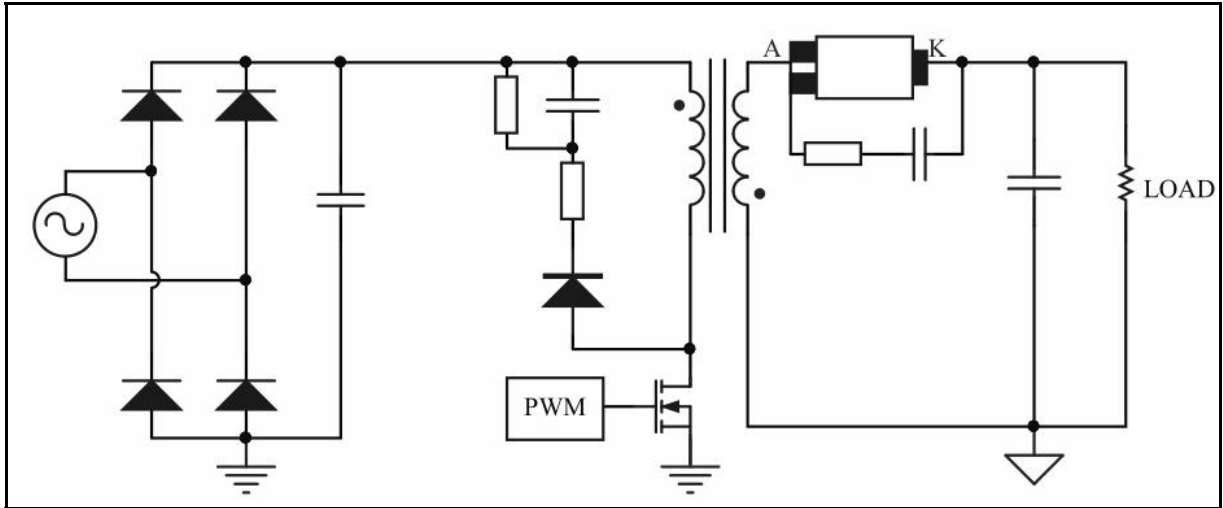
A

②

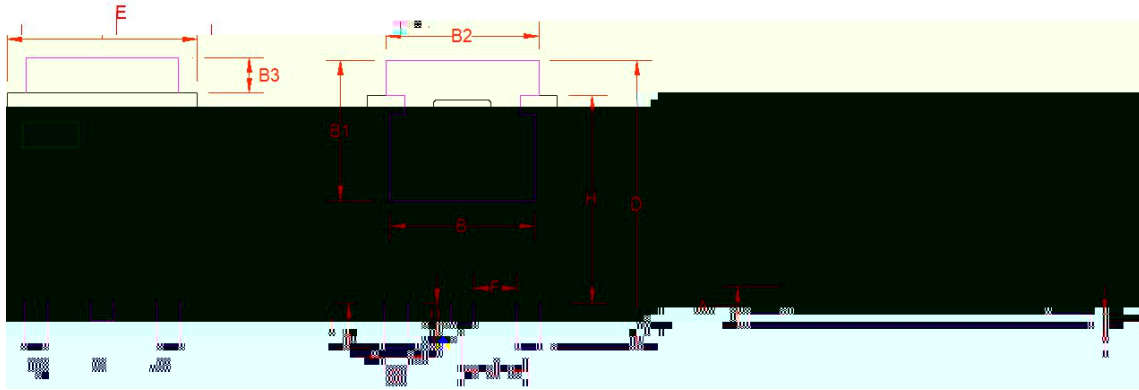
K

DK5V85R15SL





TO-252



Symbol	mm		
	min	nom	max
A	1.33	1.36	1.38
B	4.95	5.00	5.05
B1	4.80	4.85	4.90
B2	5.20	5.30	5.40
B3	1.10	1.20	1.30
C	0.40	0.42	0.45
D	9.85	9.95	10.05
E	6.50	6.60	6.70
F	1.45	1.50	1.55
G	0.75	0.80	0.85
H	7.10	7.20	7.30
I	1.50	1.55	1.60
I1	0.65	0.70	0.75
J	2.30 BSC		

<p>WARNING!</p> 	<p>ESD</p>
--	------------

-
-
-
-
-
-
-

-