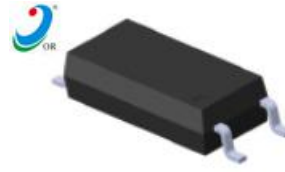


1.



2.

-10

4-

3.

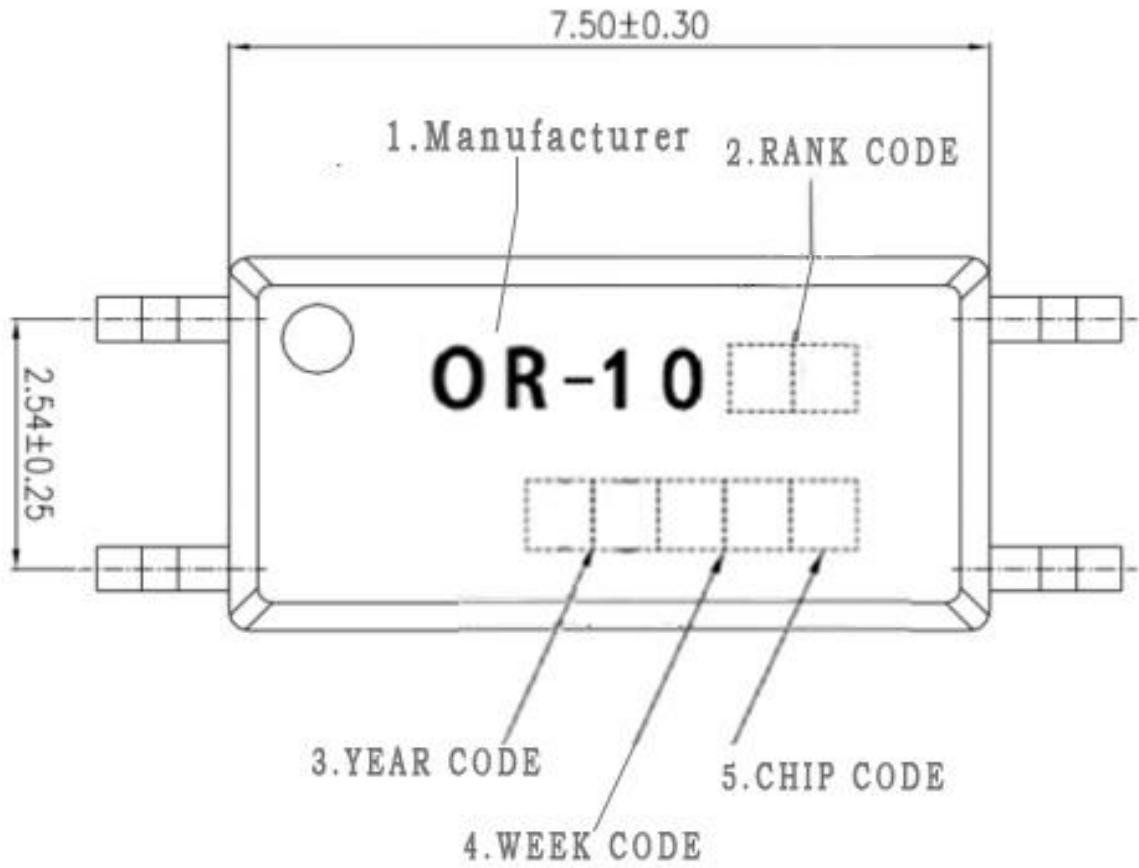


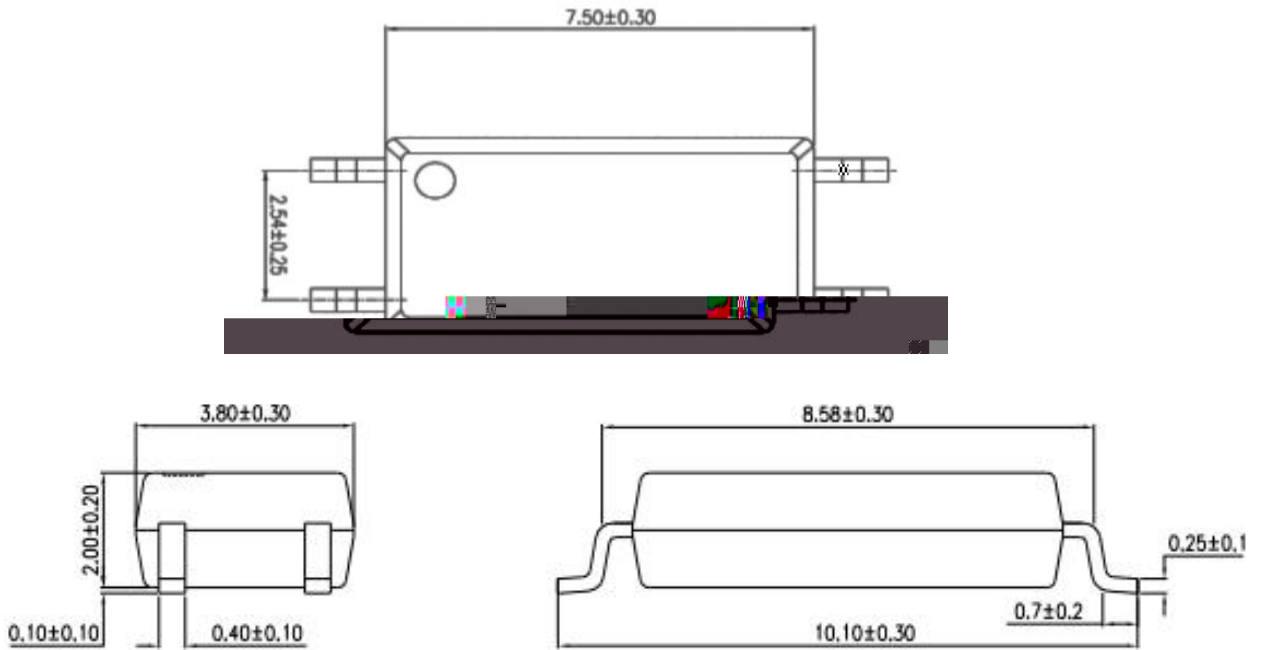
2

Parameter		Symbol	Condition	Min	Typ.*	Max	Unit
			50	---	1.25	1.6	
			4	---	---	10	
			0, 1	---	50	---	
			20 , 0	---	10	100	
			1 0	0	---	---	
			0.1 0	7	---	---	
			5	50	---	600	%
			5	2.5	---	30	
		( )	10 1	---	---	0.3	
			500 40 60% . . .	10 <sup>12</sup>	---	---	
			0, 1	---	0.3	---	
			5 , 2	---	3	1	
			100	---	4.7	1	



.



( )

